



FAX/MFC PARTS REFERENCE LIST

MODEL:

DCP-7080/7080D/7180DN

DCP-L2500D/L2520D/L2520DW

DCP-L2540DN/L2540DW/L2541DW/L2560DW

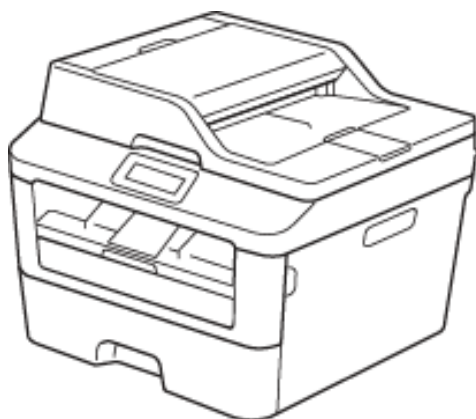
HL-L2380DW

MFC-7380/7480D/7880DN

MFC-L2680WL2700D/L2700DN/L2700DW

MFC-L2701D/L2701DW/L2703DW/L2705DW

MFC-L2720DW/L2740DW



Read this list thoroughly before maintenance work.

Keep this list in a convenient place for quick and easy reference at all times.

NOTE FOR USING THIS PARTS REFERENCE LIST

1. In the case of ordering parts, it is necessary to mention the following items:

- (1) Code
- (2) Q'ty
- (3) Description

<Example>

	(1)	(2)	(3)			
REFNo.	CODE	Q'TY	DESCRIPTION	MODEL	SPEC	REMARKS

2. Design-changed parts:

If any of the parts is changed, one of the following symbols is indicated in the REMARKS column.

CHG (chg): The part is changed for a new one.

ADD (add): The part is newly added.

DEL (del): The part is deleted.

Symbol in capital letters indicates the latest parts change information in the page.

3. Parts change will be informed by the Parts change information.

4. Parts are subject to change in design without prior notice.

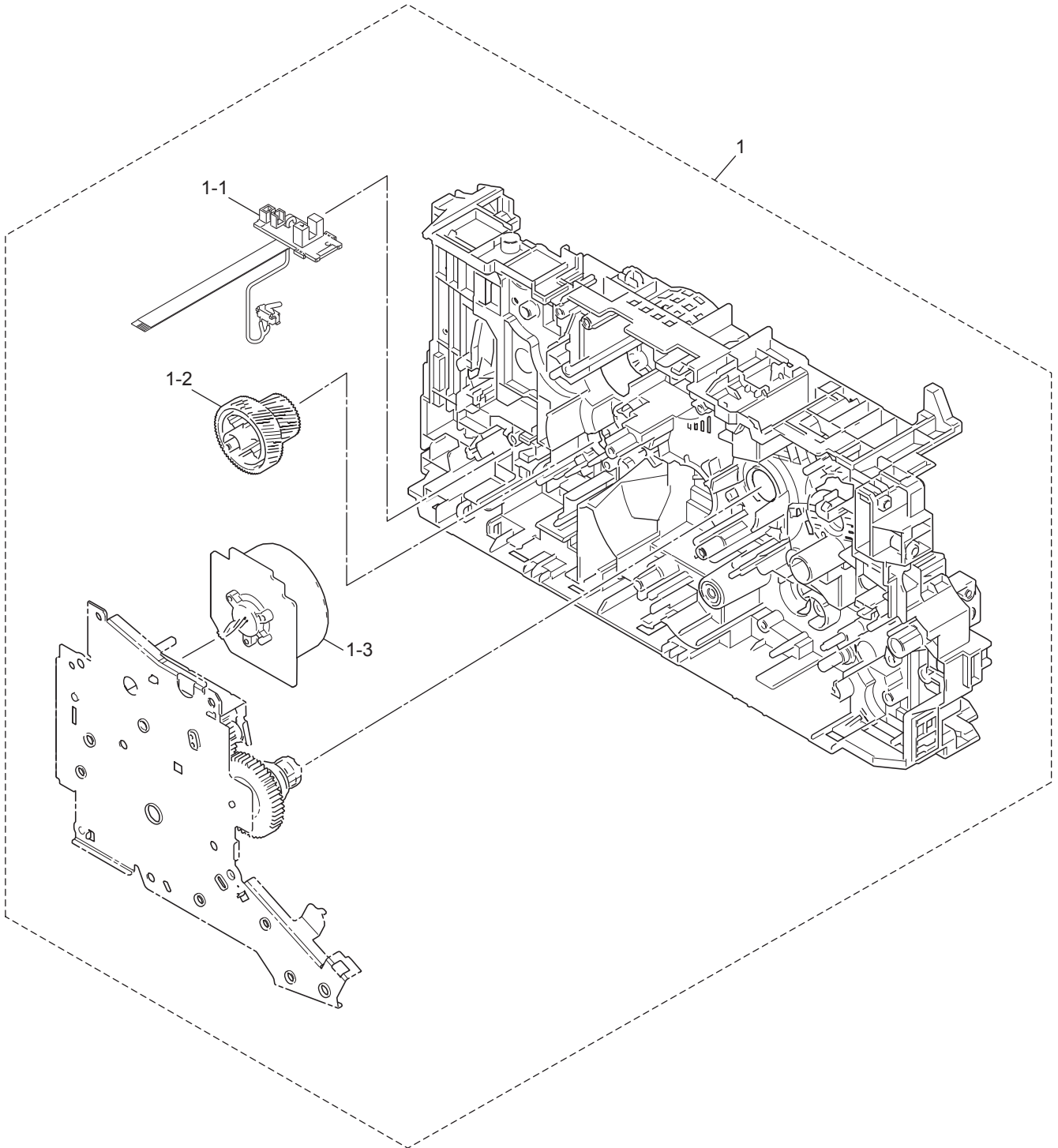
COUNTRIES & AREAS

ARG ----- ARGENTINA	MENA ----- MIDDLE EAST AND NORTH
ARL ----- AUSTRALIA	AFRICA
BRZ ----- BRAZIL	MYS ----- MALAYSIA
CAN ----- CANADA	NZ----- NEW ZEALAND
CEE ----- CEE GENERAL	PER----- PERU
CHE ----- SWITZERLAND	PHL ----- PHILIPPINES
CHL----- CHILE	PND ----- PAN-NORDIC
CHN ----- CHINA	(NORWAY/FINLAND/DENMARK/SWEDEN)
FRA/BEL/NLD -----	POL ----- POLAND
FRANCE/BELGIUM/NETHERLANDS	RUS---- RUSSIA
GER ----- GERMANY	SAF -----SOUTH AFRICA
IBR ----- IBERIA (SPAIN/PORTUGAL)	THA ----- THAILAND
IDN ----- INDONESIA	TWN-----TAIWAN
IND -----INDIA	UAE ----- UNITED ARAB EMIRATES
ISR----- ISRAEL	UK ----- UNITED KINGDOM
ITA ----- ITALY	US ----- U.S.A.
KOR----- KOREA	VNM-----VIETNAM

CONTENTS

1.	<u>FRAME L & DRIVE UNIT</u>	1
2.	<u>PAPER FEEDER</u>	4
3.	<u>FRAME</u>	6
4.	<u>LASER UNIT</u>	8
5.	<u>DX</u>	10
6.	<u>PAPER CASSETTE</u>	12
7.	<u>FIXING UNIT</u>	14
8.	<u>COVERS & LABELS</u>	16
9.	<u>DOCUMENT SCANNER</u>	24
10.	<u>ADF & DOCUMENT COVER ASSY</u>	26
11.	<u>PANEL</u>	35
12.	<u>PCB</u>	40
13.	<u>ACCESSORIES</u>	46
14.	<u>PRINTED MATERIALS</u>	50
15.	<u>PACKING MATERIALS</u>	56

1. FRAME L & DRIVE UNIT



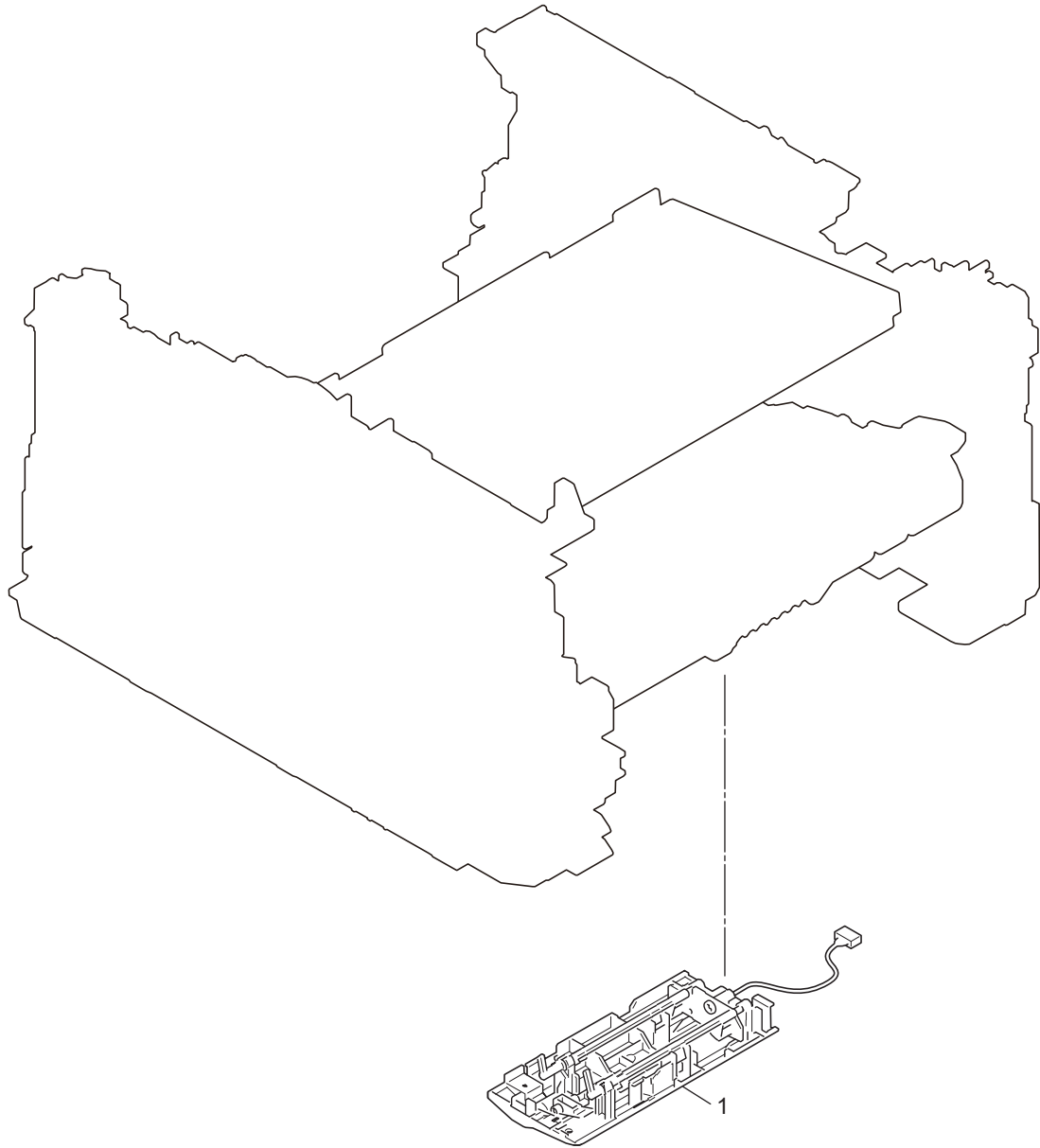
1. FRAME L & DRIVE UNIT

REF No.	CODE	QTY	DESCRIPTION	MODEL	SPEC	REMARKS
1	LEV352001	1	MAIN FRAME L ASSY (SP)	DCP-7080		CHG
1	LEV353001	1	MAIN FRAME L ASSY (SP)	DCP-7080D		CHG
1	LEV354001	1	MAIN FRAME L ASSY (SP)	DCP-7180DN		CHG
1	LEV355001	1	MAIN FRAME L ASSY (SP)	DCP-L2500D	FOR GER/UK/CHE/PND	CHG
1	LEV350001	1	MAIN FRAME L ASSY (SP)	DCP-L2500D	FOR ITA/FRA/BEL/NLD/IBR/CEE	CHG
1	LEV350001	1	MAIN FRAME L ASSY (SP)	DCP-L2500DR		CHG
1	LEV353001	1	MAIN FRAME L ASSY (SP)	DCP-L2520D	FOR IND	CHG
1	LEV350001	1	MAIN FRAME L ASSY (SP)	DCP-L2520D	FOR MYS	CHG
1	LEV355001	1	MAIN FRAME L ASSY (SP)	DCP-L2520DW	FOR GER/UK/CHE/PND	CHG
1	LEV350001	1	MAIN FRAME L ASSY (SP)	DCP-L2520DW	FOR US/CAN/BRZ/FRA/BEL/NLD/IBR/CEE	CHG
1	LEV350001	1	MAIN FRAME L ASSY (SP)	DCP-L2520DWR		CHG
1	LEV356001	1	MAIN FRAME L ASSY (SP)	DCP-L2540DN	FOR GER/UK/PND	CHG
1	LEV351001	1	MAIN FRAME L ASSY (SP)	DCP-L2540DN	FOR ITA/FRA/BEL/NLD/IBR/CEE	CHG
1	LEV351001	1	MAIN FRAME L ASSY (SP)	DCP-L2540DNR		CHG
1	LEV351001	1	MAIN FRAME L ASSY (SP)	DCP-L2540DW	FOR US/CAN/PHL/THA/ARG/CHL/BRZ/MYS/PER	CHG
1	LEV354001	1	MAIN FRAME L ASSY (SP)	DCP-L2540DW	FOR IDN	CHG
1	LEV354001	1	MAIN FRAME L ASSY (SP)	DCP-L2541DW		CHG
1	LEV356001	1	MAIN FRAME L ASSY (SP)	DCP-L2560DW	FOR GER/CHE/PND	CHG
1	LEV351001	1	MAIN FRAME L ASSY (SP)	DCP-L2560DW	FOR FRA/BEL/NLD/CEE	CHG
1	LEV351001	1	MAIN FRAME L ASSY (SP)	DCP-L2560DWR		CHG
1	LEV351001	1	MAIN FRAME L ASSY (SP)	HL-L2380DW		CHG
1	LEV352001	1	MAIN FRAME L ASSY (SP)	MFC-7380		CHG
1	LEV353001	1	MAIN FRAME L ASSY (SP)	MFC-7480D		CHG
1	LEV354001	1	MAIN FRAME L ASSY (SP)	MFC-7880DN		CHG
1	LEV544001	1	MAIN FRAME L ASSY (SP)	MFC-L2680W		CHG
1	LEV353001	1	MAIN FRAME L ASSY (SP)	MFC-L2700D	FOR IDN	CHG
1	LEV350001	1	MAIN FRAME L ASSY (SP)	MFC-L2700D	FOR PHL/TWN/SAF/THA/KOR/MYS/UA/MENA	CHG
1	LEV356001	1	MAIN FRAME L ASSY (SP)	MFC-L2700DN	FOR GER/UK/CHE	
1	LEV351001	1	MAIN FRAME L ASSY (SP)	MFC-L2700DN	FOR FRA/ITA/ISR/POL/CEE	
1	LEV351001	1	MAIN FRAME L ASSY (SP)	MFC-L2700DNR		
1	LEV354001	1	MAIN FRAME L ASSY (SP)	MFC-L2700DW	FOR IDN	CHG
1	LEV356001	1	MAIN FRAME L ASSY (SP)	MFC-L2700DW	FOR GER/UK/CHE/PND	CHG
1	LEV351001	1	MAIN FRAME L ASSY (SP)	MFC-L2700DW	FOR US/CAN/FRA/ARL/BEL/NLD/ITA/ISR/CHL/POL/BRZ/IBR/PER/CEE/PHL/TWN/SAF/NZ/THA/KOR/MYS/UA/MENA	CHG
1	LEV351001	1	MAIN FRAME L ASSY (SP)	MFC-L2700DWR		CHG
1	LEV353001	1	MAIN FRAME L ASSY (SP)	MFC-L2701D		CHG
1	LEV354001	1	MAIN FRAME L ASSY (SP)	MFC-L2701DW		CHG
1	LEV351001	1	MAIN FRAME L ASSY (SP)	MFC-L2703DW		CHG
1	LEV351001	1	MAIN FRAME L ASSY (SP)	MFC-L2705DW		CHG
1	LEV356001	1	MAIN FRAME L ASSY (SP)	MFC-L2720DW	FOR GER/UK/CHE/PND	CHG
1	LEV351001	1	MAIN FRAME L ASSY (SP)	MFC-L2720DW	FOR US/CAN/ARL/ITA/IBR/NZ/ARG/BRZ/FRA/BEL/NLD/CEE	CHG
1	LEV351001	1	MAIN FRAME L ASSY (SP)	MFC-L2720DWR		CHG
1	LEV354001	1	MAIN FRAME L ASSY (SP)	MFC-L2740DW	FOR IDN	CHG
1	LEV356001	1	MAIN FRAME L ASSY (SP)	MFC-L2740DW	FOR GER/UK/CHE/PND	CHG
1	LEV351001	1	MAIN FRAME L ASSY (SP)	MFC-L2740DW	FOR US/CAN/ARL/ITA/IBR/TWN/SAF/NZ/THA/CHL/BRZ/FRA/BEL/NLD/MYS/PER/UA/MENA/CEE	CHG
1	LEV351001	1	MAIN FRAME L ASSY (SP)	MFC-L2740DWR		CHG
1-1	LV1288001	1	EJECT SENSOR PCB ASSY	DCP-7080		
1-1	LV1288001	1	EJECT SENSOR PCB ASSY	DCP-7080D		
1-1	LV1288001	1	EJECT SENSOR PCB ASSY	DCP-7180DN		
1-1	LV1288001	1	EJECT SENSOR PCB ASSY	DCP-L2500D	FOR ITA/FRA/BEL/NLD/IBR/CEE	
1-1	LV1467001	1	EJECT SENSOR PCB ASSY	DCP-L2500D	FOR GER/UK/CHE/PND	
1-1	LV1288001	1	EJECT SENSOR PCB ASSY	DCP-L2500DR		
1-1	LV1288001	1	EJECT SENSOR PCB ASSY	DCP-L2520D		
1-1	LV1288001	1	EJECT SENSOR PCB ASSY	DCP-L2520DW	FOR US/CAN/BRZ/FRA/BEL/NLD/IBR/CEE	
1-1	LV1467001	1	EJECT SENSOR PCB ASSY	DCP-L2520DW	FOR GER/UK/CHE/PND	
1-1	LV1288001	1	EJECT SENSOR PCB ASSY	DCP-L2520DWR		
1-1	LV1288001	1	EJECT SENSOR PCB ASSY	DCP-L2540DN	FOR ITA/FRA/BEL/NLD/IBR/CEE	
1-1	LV1467001	1	EJECT SENSOR PCB ASSY	DCP-L2540DN	FOR GER/UK/PND	
1-1	LV1288001	1	EJECT SENSOR PCB ASSY	DCP-L2540DNR		
1-1	LV1288001	1	EJECT SENSOR PCB ASSY	DCP-L2540DW		
1-1	LV1288001	1	EJECT SENSOR PCB ASSY	DCP-L2541DW		
1-1	LV1288001	1	EJECT SENSOR PCB ASSY	DCP-L2560DW	FOR FRA/BEL/NLD/CEE	
1-1	LV1467001	1	EJECT SENSOR PCB ASSY	DCP-L2560DW	FOR GER/CHE/PND	

1. FRAME L & DRIVE UNIT

REF No.	CODE	Q'TY	DESCRIPTION	MODEL	SPEC	REMARKS
1-1	LV1288001	1	EJECT SENSOR PCB ASSY	DCP-L2560DWR		
1-1	LV1288001	1	EJECT SENSOR PCB ASSY	HL-L2380DW		
1-1	LV1288001	1	EJECT SENSOR PCB ASSY	MFC-7380		
1-1	LV1288001	1	EJECT SENSOR PCB ASSY	MFC-7480D		
1-1	LV1288001	1	EJECT SENSOR PCB ASSY	MFC-7880DN		
1-1	LV1288001	1	EJECT SENSOR PCB ASSY	MFC-L2680W		
1-1	LV1288001	1	EJECT SENSOR PCB ASSY	MFC-L2700D		
1-1	LV1288001	1	EJECT SENSOR PCB ASSY	MFC-L2700DN	FOR FRA/ITA/ISR/POL/CEE	
1-1	LV1467001	1	EJECT SENSOR PCB ASSY	MFC-L2700DN	FOR GER/UK/CHE	
1-1	LV1288001	1	EJECT SENSOR PCB ASSY	MFC-L2700DNR		
1-1	LV1288001	1	EJECT SENSOR PCB ASSY	MFC-L2700DW	FOR US/CAN/FRA/ARL/BEL/NLD/ ITA/ISR/CHL/POL/BRZ/IBR/PER/ CEE/PHL/TWN/SAF/NZ/IDN/THA/ KOR/MYS/UAE/MENA	
1-1	LV1467001	1	EJECT SENSOR PCB ASSY	MFC-L2700DW	FOR GER/UK/CHE/PND	
1-1	LV1288001	1	EJECT SENSOR PCB ASSY	MFC-L2700DWR		
1-1	LV1288001	1	EJECT SENSOR PCB ASSY	MFC-L2701D		
1-1	LV1288001	1	EJECT SENSOR PCB ASSY	MFC-L2701DW		
1-1	LV1288001	1	EJECT SENSOR PCB ASSY	MFC-L2703DW		
1-1	LV1288001	1	EJECT SENSOR PCB ASSY	MFC-L2705DW		
1-1	LV1288001	1	EJECT SENSOR PCB ASSY	MFC-L2720DW	FOR US/CAN/ARL/ITA/IBR/NZ/ ARG/BRZ/FRA/BEL/NLD/CEE	
1-1	LV1467001	1	EJECT SENSOR PCB ASSY	MFC-L2720DW	FOR GER/UK/CHE/PND	
1-1	LV1288001	1	EJECT SENSOR PCB ASSY	MFC-L2720DWR		
1-1	LV1288001	1	EJECT SENSOR PCB ASSY	MFC-L2740DW	FOR US/CAN/ARL/ITA/IBR/TWN/ SAF/NZ/IDN/THA/CHL/BRZ/ FRA/BEL/NLD/MYS/PER/UAE/ MENA/CEE	
1-1	LV1467001	1	EJECT SENSOR PCB ASSY	MFC-L2740DW	FOR GER/UK/CHE/PND	
1-1	LV1288001	1	EJECT SENSOR PCB ASSY	MFC-L2740DWR		
1-2	LY9029001	1	FUSER GEAR 67R/40R			
1-3	LY9037001	1	MAIN MOTOR			

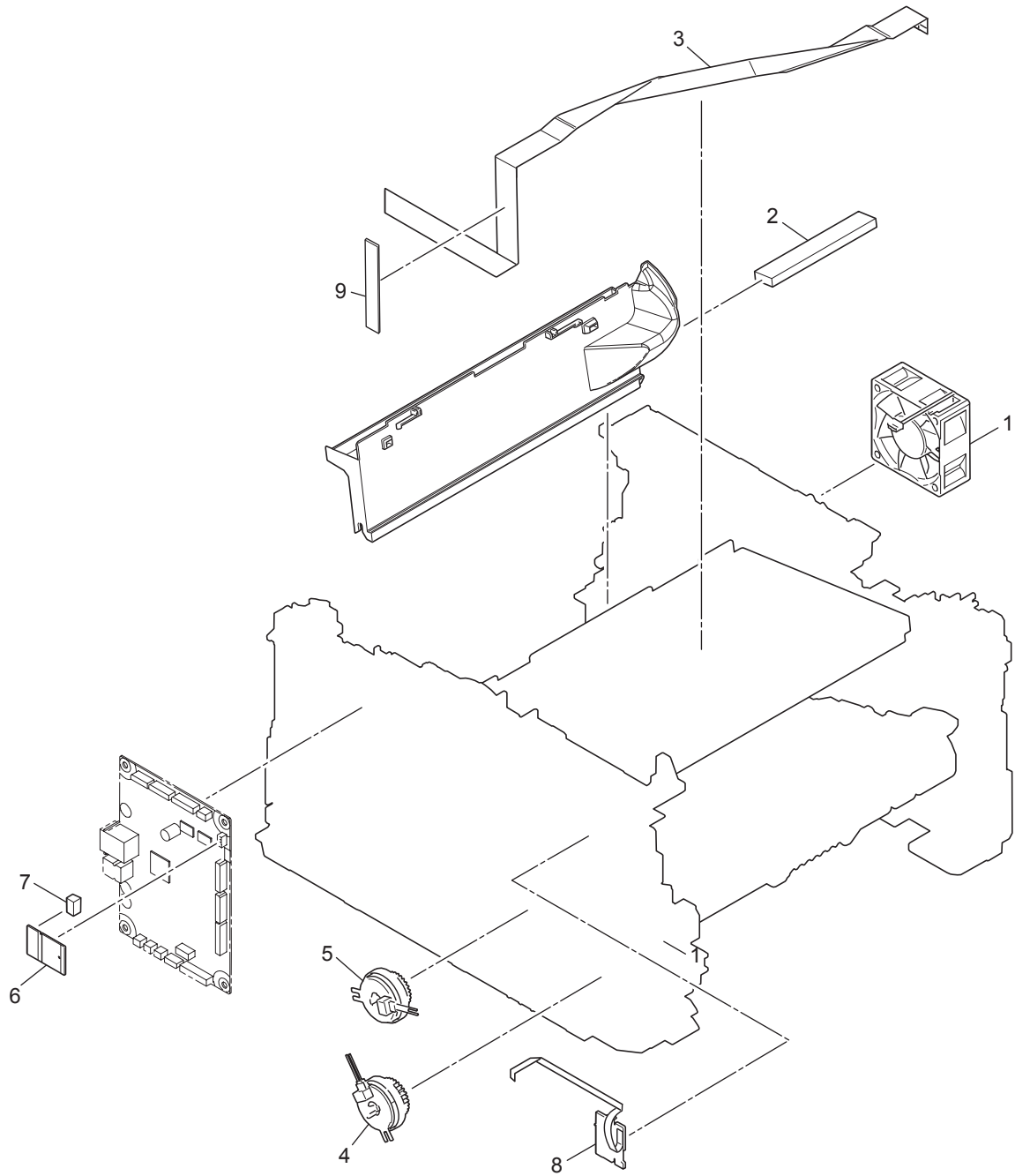
2. PAPER FEEDER



2. PAPER FEEDER

REF No.	CODE	Q'T Y	DESCRIPTION	MODEL	SPEC	REMARKS
1	LY9527001	1	REGISTRATION FRONT/REAR ACTUATOR HOLDER ASSY	DCP-7080		
1	LY9326001	1	REGISTRATION FRONT/REAR ACTUATOR HOLDER ASSY	DCP-7080D		
1	LY9326001	1	REGISTRATION FRONT/REAR ACTUATOR HOLDER ASSY	DCP-7180DN		
1	LY9326001	1	REGISTRATION FRONT/REAR ACTUATOR HOLDER ASSY	DCP-L2500D		
1	LY9326001	1	REGISTRATION FRONT/REAR ACTUATOR HOLDER ASSY	DCP-L2500DR		
1	LY9326001	1	REGISTRATION FRONT/REAR ACTUATOR HOLDER ASSY	DCP-L2520D		
1	LY9326001	1	REGISTRATION FRONT/REAR ACTUATOR HOLDER ASSY	DCP-L2520DW		
1	LY9326001	1	REGISTRATION FRONT/REAR ACTUATOR HOLDER ASSY	DCP-L2520DWR		
1	LY9326001	1	REGISTRATION FRONT/REAR ACTUATOR HOLDER ASSY	DCP-L2540DN		
1	LY9326001	1	REGISTRATION FRONT/REAR ACTUATOR HOLDER ASSY	DCP-L2540DNR		
1	LY9326001	1	REGISTRATION FRONT/REAR ACTUATOR HOLDER ASSY	DCP-L2540DW		
1	LY9326001	1	REGISTRATION FRONT/REAR ACTUATOR HOLDER ASSY	DCP-L2541DW		
1	LY9326001	1	REGISTRATION FRONT/REAR ACTUATOR HOLDER ASSY	DCP-L2560DW		
1	LY9326001	1	REGISTRATION FRONT/REAR ACTUATOR HOLDER ASSY	DCP-L2560DWR		
1	LY9326001	1	REGISTRATION FRONT/REAR ACTUATOR HOLDER ASSY	HL-L2380DW		
1	LY9527001	1	REGISTRATION FRONT/REAR ACTUATOR HOLDER ASSY	MFC-7380		
1	LY9326001	1	REGISTRATION FRONT/REAR ACTUATOR HOLDER ASSY	MFC-7480D		
1	LY9326001	1	REGISTRATION FRONT/REAR ACTUATOR HOLDER ASSY	MFC-7880DN		
1	LY9527001	1	REGISTRATION FRONT/REAR ACTUATOR HOLDER ASSY	MFC-L2680W		
1	LY9326001	1	REGISTRATION FRONT/REAR ACTUATOR HOLDER ASSY	MFC-L2700D		
1	LY9326001	1	REGISTRATION FRONT/REAR ACTUATOR HOLDER ASSY	MFC-L2700DN		
1	LY9326001	1	REGISTRATION FRONT/REAR ACTUATOR HOLDER ASSY	MFC-L2700DNR		
1	LY9326001	1	REGISTRATION FRONT/REAR ACTUATOR HOLDER ASSY	MFC-L2700DW		
1	LY9326001	1	REGISTRATION FRONT/REAR ACTUATOR HOLDER ASSY	MFC-L2700DWR		
1	LY9326001	1	REGISTRATION FRONT/REAR ACTUATOR HOLDER ASSY	MFC-L2701D		
1	LY9326001	1	REGISTRATION FRONT/REAR ACTUATOR HOLDER ASSY	MFC-L2701DW		
1	LY9326001	1	REGISTRATION FRONT/REAR ACTUATOR HOLDER ASSY	MFC-L2703DW		
1	LY9326001	1	REGISTRATION FRONT/REAR ACTUATOR HOLDER ASSY	MFC-L2705DW		
1	LY9326001	1	REGISTRATION FRONT/REAR ACTUATOR HOLDER ASSY	MFC-L2720DW		
1	LY9326001	1	REGISTRATION FRONT/REAR ACTUATOR HOLDER ASSY	MFC-L2720DWR		
1	LY9326001	1	REGISTRATION FRONT/REAR ACTUATOR HOLDER ASSY	MFC-L2740DW		
1	LY9326001	1	REGISTRATION FRONT/REAR ACTUATOR HOLDER ASSY	MFC-L2740DWR		

3. FRAME



3. FRAME

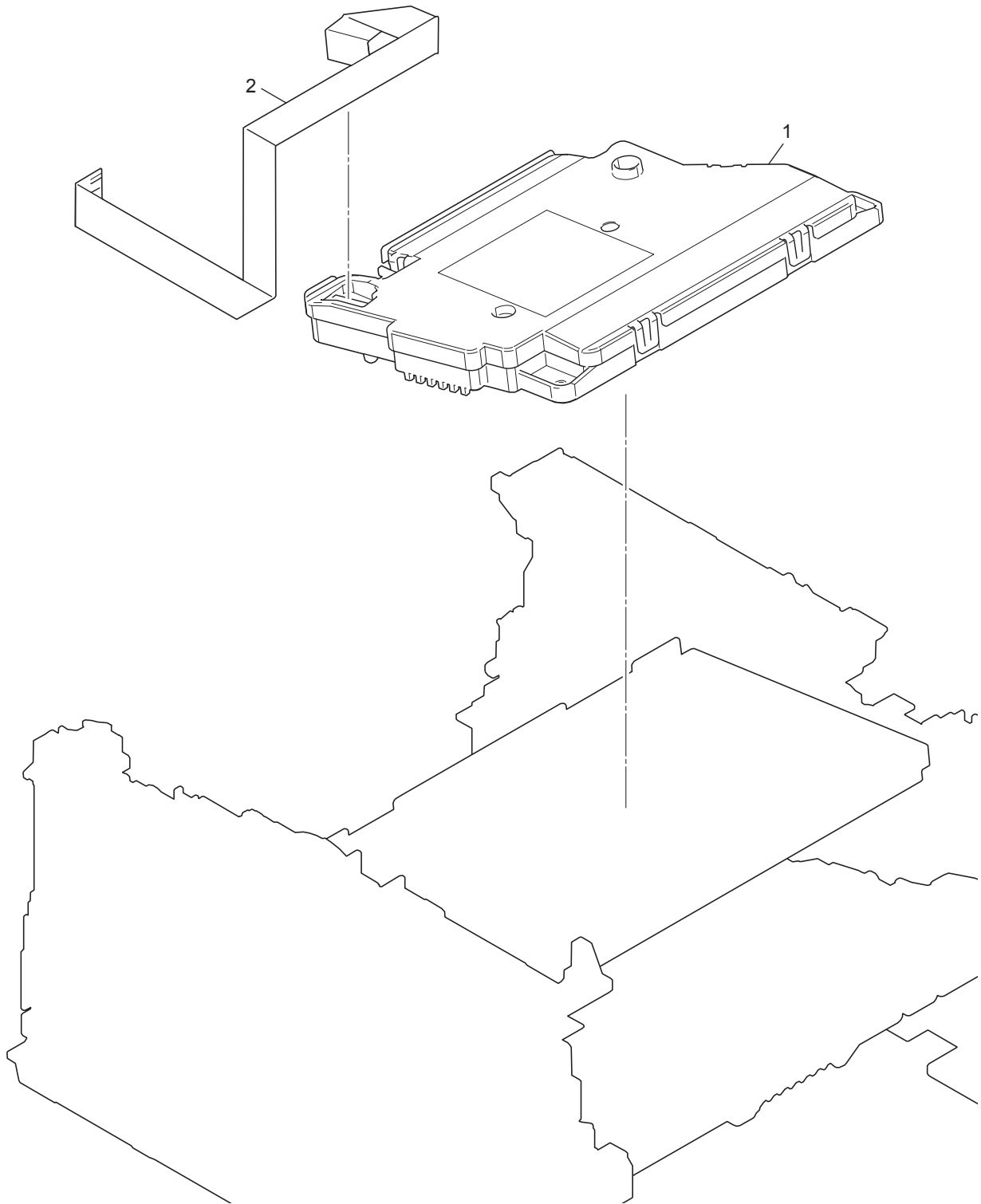
REF No.	CODE	QTY	DESCRIPTION	MODEL	SPEC	REMARKS
1	LY9348001	1	FAN			
2	LY2141001	1	FILTER			
3	LV1226001	1	HVPS FLAT CABLE			
4	LY2144001	1	T1 CLUTCH			
5	LY2150001	1	REGISTRATION CLUTCH			
6	LT3808004	4	WIRELESS LAN PCB*	DCP-L2520DW	FOR US/CAN/GER/UK/CHE/BRZ/ FRA/BEL/NLD/PND/IBR/CEE	DEL
6	LT3652001	1	WIRELESS LAN PCB*	DCP-L2520DW		ADD
6	LT3652001	1	WIRELESS LAN PCB*	DCP-L2520DWR	FOR US/CAN/PHL/IDN/THA/ ARG/CHL/BRZ/MYS/PER	add
6	LT3808004	4	WIRELESS LAN PCB*	DCP-L2540DW		DEL
6	LT3652001	1	WIRELESS LAN PCB*	DCP-L2540DW		ADD
6	LT3652001	1	WIRELESS LAN PCB*	DCP-L2541DW		chg
6	LT3808001	1	WIRELESS LAN PCB*	DCP-L2560DW		chg
6	LT3652001	1	WIRELESS LAN PCB*	DCP-L2560DW		add
6	LT3808001	1	WIRELESS LAN PCB*	DCP-L2560DWR		chg
6	LT3652001	1	WIRELESS LAN PCB*	DCP-L2560DWR		add
6	LT3808001	1	WIRELESS LAN PCB*	HL-L2380DW		chg
6	LT3652001	1	WIRELESS LAN PCB*	HL-L2380DW		add
6	LT3652001	1	WIRELESS LAN PCB	MFC-L2680W		
6	LT3652001	1	WIRELESS LAN PCB*	MFC-L2700DW		chg
6	LT3652001	1	WIRELESS LAN PCB*	MFC-L2700DWR		chg
6	LT3652001	1	WIRELESS LAN PCB*	MFC-L2701DW		chg
6	LT3652001	1	WIRELESS LAN PCB*	MFC-L2703DW		chg
6	LT3652001	1	WIRELESS LAN PCB*	MFC-L2705DW		chg
6	LT3808001	1	WIRELESS LAN PCB*	MFC-L2720DW		chg
6	LT3652001	1	WIRELESS LAN PCB*	MFC-L2720DW		add
6	LT3808001	1	WIRELESS LAN PCB*	MFC-L2720DWR		chg
6	LT3652001	1	WIRELESS LAN PCB*	MFC-L2720DWR		add
6	LT3808001	1	WIRELESS LAN PCB*	MFC-L2740DW		chg
6	LT3652001	1	WIRELESS LAN PCB*	MFC-L2740DW		add
6	LT3808001	1	WIRELESS LAN PCB*	MFC-L2740DWR		chg
6	LT3753001	1	WIRELESS LAN PCB*	MFC-L2740DWR		add
7	LV1394004	4	GASKET*	DCP-L2520DW		DEL
7	LV1394004	4	GASKET*	DCP-L2540DW		DEL
7	LV1394001	1	GASKET*	DCP-L2560DW		chg
7	LV1394001	1	GASKET	DCP-L2560DWR		
7	LV1394001	1	GASKET*	HL-L2380DW		chg
7	LV1394001	1	GASKET*	MFC-L2720DW		chg
7	LV1394001	1	GASKET*	MFC-L2720DWR		
7	LV1394001	1	GASKET*	MFC-L2740DW		chg
7	LV1394001	1	GASKET*	MFC-L2740DWR		
8	LT2867001	1	NEW TONER SENSOR PCB ASSY			
9	LY9721001	1	FLAT CABLE SPONGE			

*When replacing the Wireless LAN PCB, please check the compatibility between Old and New and the combination of the Main PCB ASSY and the Wireless LAN PCB. See the Parts Change Information: Ref. No.1000049762/1000050285/1000051779 for the details.

DCP-L2520DW DCP-L254*DW MFC-L270*DW		WIRELESS LAN PCB	
		OLD	NEW
		LT3808001	LT3652001
MAIN PCB ASSY	LT3166001	OK	OK
	LT3168001		
	LT3221001		
	LT3288001		
	LT3609001		
GASKET	LV1394001	NEED	NOT NEED

OTHERS			WIRELESS LAN PCB	
			OLD	NEW
			LT3808001	LT3652001
MAIN PCB ASSY	OLD	LT3167001	OK	NG
		LT3219001		
		LT3165001		
	NEW	LT3751001	NG	OK
		LT3752001		
	LT3753001			
GASKET	LV1394001	NEED	NOT NEED	

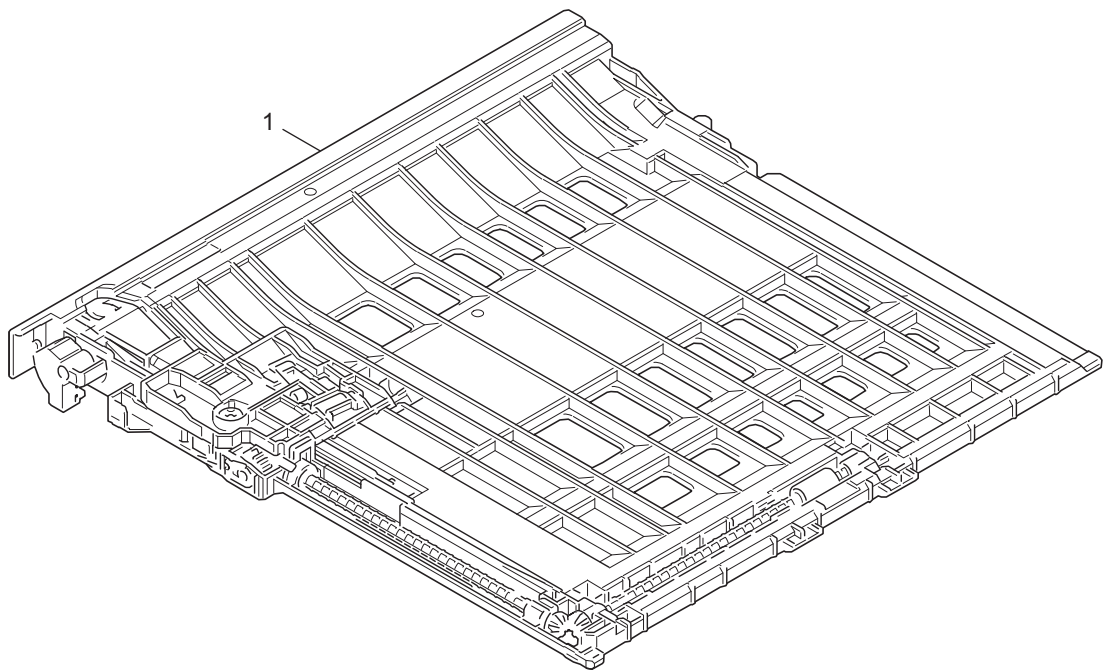
4. LASER UNIT



4.LASER UNIT

REF No.	CODE	Q'TY	DESCRIPTION	MODEL	SPEC	REMARKS
1	LY9282001	1	LASER UNIT(SP)	DCP-7080		
1	LY9282001	1	LASER UNIT(SP)	DCP-7080D		
1	LY9282001	1	LASER UNIT(SP)	DCP-7180DN		
1	LY9955001	1	LASER UNIT(SP)	DCP-L2500D		
1	LY9955001	1	LASER UNIT(SP)	DCP-L2500DR		
1	LY9282001	1	LASER UNIT(SP)	DCP-L2520D		
1	LY9955001	1	LASER UNIT(SP)	DCP-L2520DW		
1	LY9955001	1	LASER UNIT(SP)	DCP-L2520DWR		
1	LY9282001	1	LASER UNIT(SP)	DCP-L2540DN		
1	LY9282001	1	LASER UNIT(SP)	DCP-L2540DNR		
1	LY9282001	1	LASER UNIT(SP)	DCP-L2540DW		
1	LY9282001	1	LASER UNIT(SP)	DCP-L2541DW		
1	LY9282001	1	LASER UNIT(SP)	DCP-L2560DW		
1	LY9282001	1	LASER UNIT(SP)	DCP-L2560DWR		
1	LY9282001	1	LASER UNIT(SP)	HL-L2380DW		
1	LY9282001	1	LASER UNIT(SP)	MFC-7380		
1	LY9282001	1	LASER UNIT(SP)	MFC-7480D		
1	LY9282001	1	LASER UNIT(SP)	MFC-7880DN		
1	LY9955001	1	LASER UNIT(SP)	MFC-L2680W		
1	LY9282001	1	LASER UNIT(SP)	MFC-L2700D		
1	LY9955001	1	LASER UNIT(SP)	MFC-L2700DN		
1	LY9955001	1	LASER UNIT(SP)	MFC-L2700DNR		
1	LY9282001	1	LASER UNIT(SP)	MFC-L2700DW	FOR PHL/TWN/SAF/NZ/IDN/THA/ KOR/MYS/UAE/MENA FOR US/CAN/GER/UK/FRA/ARL/ BEL/NLD/CHE/ITA/ISR/CHL/POL/BRZ/ PND/IBR/PER/CEE	
1	LY9955001	1	LASER UNIT(SP)	MFC-L2700DW		
1	LY9955001	1	LASER UNIT(SP)	MFC-L2700DWR		
1	LY9282001	1	LASER UNIT(SP)	MFC-L2701D		
1	LY9282001	1	LASER UNIT(SP)	MFC-L2701DW		
1	LY9282001	1	LASER UNIT(SP)	MFC-L2703DW		
1	LY9282001	1	LASER UNIT(SP)	MFC-L2705DW		
1	LY9282001	1	LASER UNIT(SP)	MFC-L2720DW		
1	LY9282001	1	LASER UNIT(SP)	MFC-L2720DWR		
1	LY9282001	1	LASER UNIT(SP)	MFC-L2740DW		
1	LY9282001	1	LASER UNIT(SP)	MFC-L2740DWR		
2	LV1232001	1	LASER UNIT FLAT CABLE			

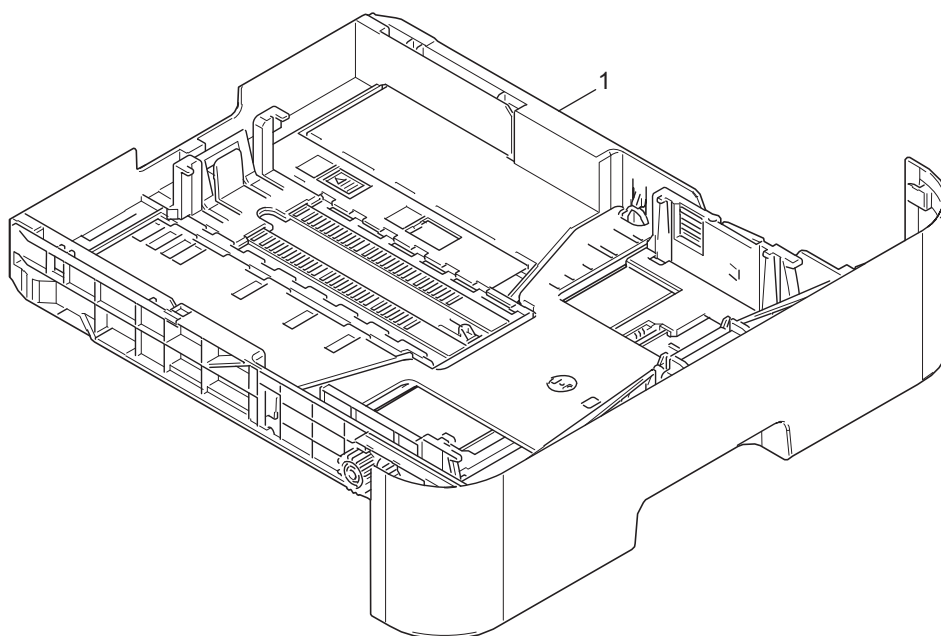
5. DX



5. DX

REF No.	CODE	Q'TY	DESCRIPTION	MODEL	SPEC	REMARKS
1	LJB536011	1	DUPLEX TRAY A4	DCP-7080D		CHG
1	LJB536012	1	DUPLEX TRAY A4	DCP-7180DN		CHG
1	LY2452011	1	DUPLEX TRAY A4	DCP-L2500D		
1	LY2452011	1	DUPLEX TRAY A4	DCP-L2500DR		
1	LY2452011	1	DUPLEX TRAY A4	DCP-L2520D		
1	LY2452012	1	DUPLEX TRAY A4	DCP-L2520DW	FOR GER/UK/CHE/FRA/BEL/NLD/ PND/IBR/CEE	
1	LY2166012	1	DUPLEX TRAY LTR	DCP-L2520DW	FOR US/CAN/BRZ	
1	LY2452012	1	DUPLEX TRAY A4	DCP-L2520DWR		
1	LY2452012	1	DUPLEX TRAY A4	DCP-L2540DN		
1	LY2452012	1	DUPLEX TRAY A4	DCP-L2540DNR		
1	LY2452012	1	DUPLEX TRAY A4	DCP-L2540DW	FOR IDN/THA/MYS	
1	LY2166012	1	DUPLEX TRAY LTR	DCP-L2540DW	FOR US/CAN/PHL/ARG/CHL/BRZ/PER	
1	LY2452012	1	DUPLEX TRAY A4	DCP-L2541DW		
1	LY2452015	1	DUPLEX TRAY A4	DCP-L2560DW		
1	LY2452015	1	DUPLEX TRAY A4	DCP-L2560DWR		
1	LY2452015	1	DUPLEX TRAY A4	HL-L2380DW	FOR ARL/NZ	
1	LY2166013	1	DUPLEX TRAY LTR	HL-L2380DW	FOR US/CAN	
1	LJB536011	1	DUPLEX TRAY A4	MFC-7480D		CHG
1	LJB536012	1	DUPLEX TRAY A4	MFC-7880DN		CHG
1	LY2452011	1	DUPLEX TRAY A4	MFC-L2700D	FOR TWN/SAF/IDN/THA/KOR/MYS/ UAE/MENA	
1	LY2166011	1	DUPLEX TRAY LTR	MFC-L2700D	FOR PHL	
1	LY2452011	1	DUPLEX TRAY A4	MFC-L2700DN		
1	LY2452011	1	DUPLEX TRAY A4	MFC-L2700DNR		
1	LY2452011	1	DUPLEX TRAY A4	MFC-L2700DW	FOR GER/UK/FRA/ARL/BEL/NLD/CHE/ ITA/ISR/POL/PND/IBR/CEE/TWN/SAF/ NZ/IDN/THA/KOR/MYS/UAE/MENA	
1	LY2166011	1	DUPLEX TRAY LTR	MFC-L2700DW	FOR US/CAN/CHL/BRZ/PER/PHL	
1	LY2452011	1	DUPLEX TRAY A4	MFC-L2700DWR		
1	LY2452011	1	DUPLEX TRAY A4	MFC-L2701D		
1	LY2452011	1	DUPLEX TRAY A4	MFC-L2701DW		
1	LY2452012	1	DUPLEX TRAY A4	MFC-L2703DW		
1	LY2166011	1	DUPLEX TRAY LTR	MFC-L2705DW		
1	LY2452012	1	DUPLEX TRAY A4	MFC-L2720DW	FOR GER/UK/ARL/CHE/ITA/IBR/NZ/ FRA/BEL/NLD/PND/CEE	
1	LY2166012	1	DUPLEX TRAY LTR	MFC-L2720DW	FOR US/CAN/ARG/BRZ	
1	LY2452012	1	DUPLEX TRAY A4	MFC-L2720DWR		
1	LY2452012	1	DUPLEX TRAY A4	MFC-L2740DW	FOR GER/UK/ARL/CHE/ITA/IBR/TWN/ SAF/NZ/IDN/THA/FRA/BEL/NLD/PND/ MYS/UAE/MENA/CEE	
1	LY2166012	1	DUPLEX TRAY LTR	MFC-L2740DW	FOR US/CAN/CHL/BRZ/PER	
1	LY2452012	1	DUPLEX TRAY A4	MFC-L2740DWR		

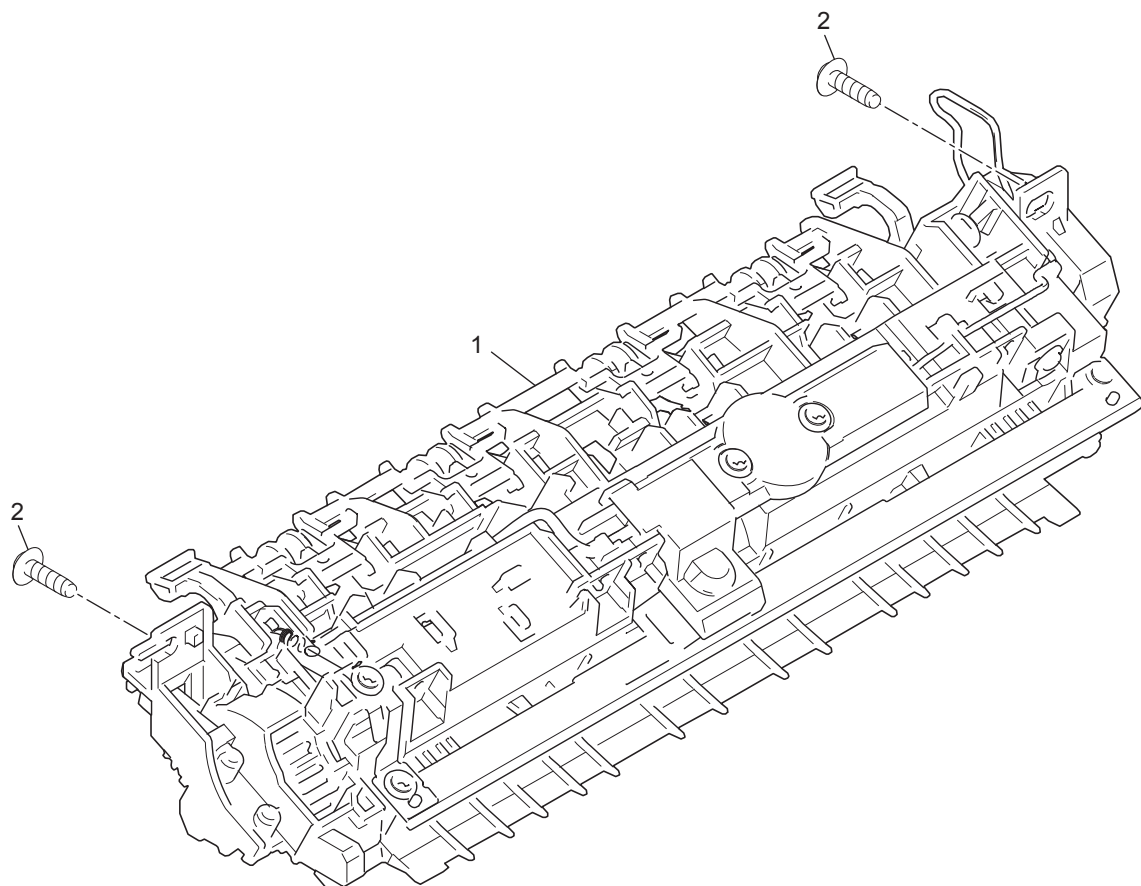
6. PAPER CASSETTE



6. PAPER CASSETTE

REF No.	CODE	Q'TY	DESCRIPTION	MODEL	SPEC	REMARKS
1	LEV539002	1	PAPER TRAY	DCP-7080		CHG
1	LEV539001	1	PAPER TRAY	DCP-7080D		CHG
1	LEV539002	1	PAPER TRAY	DCP-7180DN		CHG
1	LEM132001	1	PAPER TRAY	DCP-L2500D		
1	LEM132001	1	PAPER TRAY	DCP-L2500DR		
1	LEM084001	1	PAPER TRAY	DCP-L2520D		
1	LEM132002	1	PAPER TRAY	DCP-L2520DW	FOR GER/UK/CHE/FRA/BEL/NLD/ PND/IBR/CEE	
1	LEM084002	1	PAPER TRAY	DCP-L2520DW	FOR US/CAN/BRZ	
1	LEM132002	1	PAPER TRAY	DCP-L2520DWR		
1	LEM132002	1	PAPER TRAY	DCP-L2540DN		
1	LEM132002	1	PAPER TRAY	DCP-L2540DNR		
1	LEM084002	1	PAPER TRAY	DCP-L2540DW		
1	LEM084002	1	PAPER TRAY	DCP-L2541DW		
1	LEM132003	1	PAPER TRAY	DCP-L2560DW		
1	LEM132003	1	PAPER TRAY	DCP-L2560DWR		
1	LEM132003	1	PAPER TRAY	HL-L2380DW	FOR ARL/NZ	
1	LEM084003	1	PAPER TRAY	HL-L2380DW	FOR US/CAN	
1	LEV539001	1	PAPER TRAY	MFC-7380		CHG
1	LEV539001	1	PAPER TRAY	MFC-7480D		CHG
1	LEV539002	1	PAPER TRAY	MFC-7880DN		CHG
1	LEM084001	1	PAPER TRAY	MFC-L2680W		
1	LEM132001	1	PAPER TRAY	MFC-L2700D	FOR SAF/KOR/UA/MENA	
1	LEM084001	1	PAPER TRAY	MFC-L2700D	FOR PHL/TWN/IDN/THA/MYS	
1	LEM132001	1	PAPER TRAY	MFC-L2700DN		
1	LEM132001	1	PAPER TRAY	MFC-L2700DNR		
1	LEM132001	1	PAPER TRAY	MFC-L2700DW	FOR GER/UK/FRA/ARL/BEL/NLD/ CHE/ITA/ISR/POL/PND/IBR/CEE/ SAF/NZ/KOR/UA/MENA	
1	LEM084001	1	PAPER TRAY	MFC-L2700DW	FOR US/CAN/CHL/BRZ/PER/PHL/ TWN/IDN/THA/MYS	
1	LEM132001	1	PAPER TRAY	MFC-L2700DWR		
1	LEM084001	1	PAPER TRAY	MFC-L2701D		
1	LEM084001	1	PAPER TRAY	MFC-L2701DW		
1	LEM132002	1	PAPER TRAY	MFC-L2703DW		
1	LEM084001	1	PAPER TRAY	MFC-L2705DW		
1	LEM132002	1	PAPER TRAY	MFC-L2720DW	FOR GER/UK/ARL/CHE/ITA/IBR/NZ/ FRA/BEL/NLD/PND/CEE	
1	LEM084002	1	PAPER TRAY	MFC-L2720DW	FOR US/CAN/ARG/BRZ	
1	LEM132002	1	PAPER TRAY	MFC-L2720DWR		
1	LEM132002	1	PAPER TRAY	MFC-L2740DW	FOR GER/UK/ARL/CHE/ITA/IBR/SAF/ NZ/FRA/BEL/NLD/PND/UA/MENA/CEE	
1	LEM084002	1	PAPER TRAY	MFC-L2740DW	FOR US/CAN/TWN/IDN/THA/CHL/BRZ/ MYS/PER	
1	LEM132002	1	PAPER TRAY	MFC-L2740DWR		

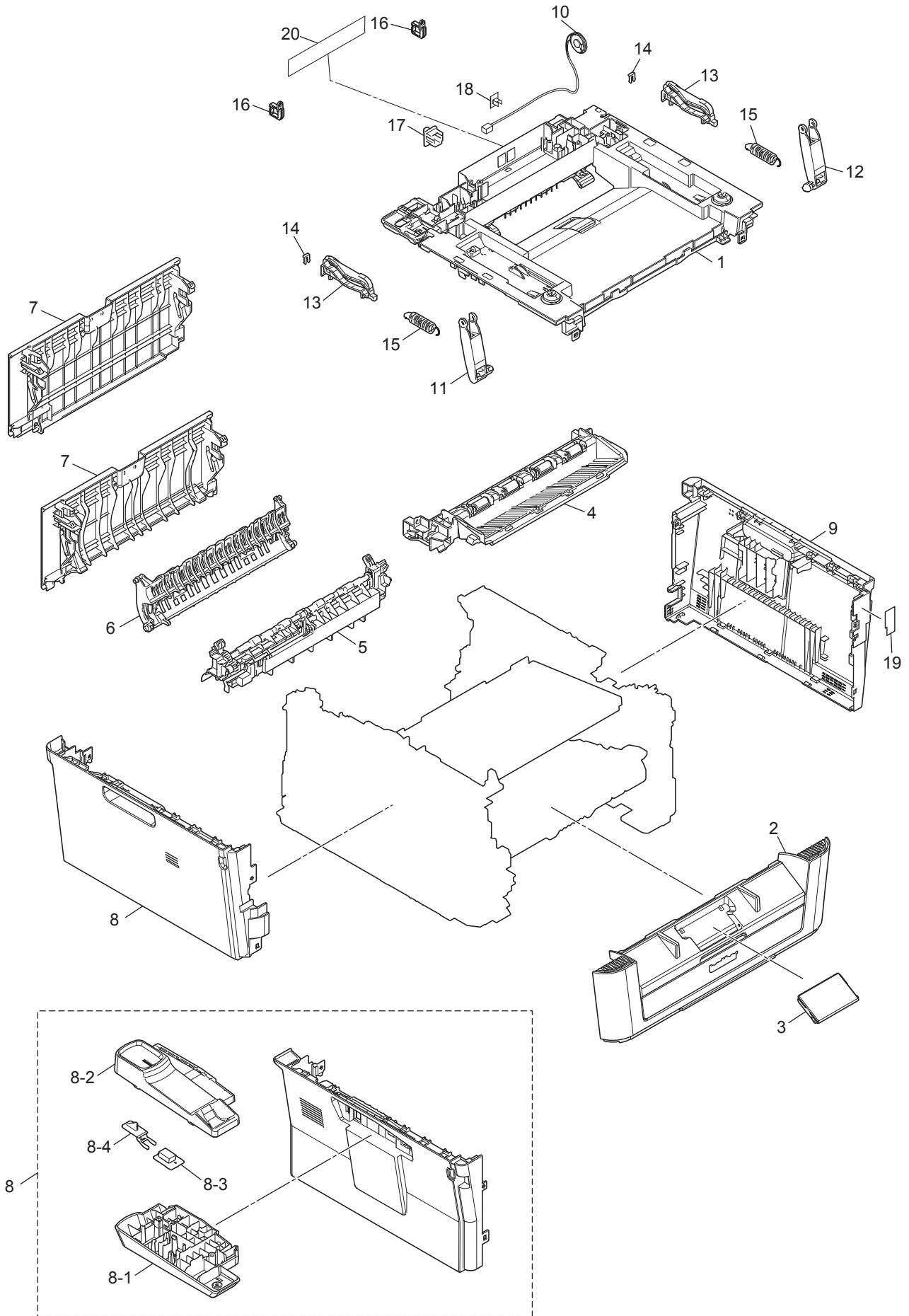
7. FIXING UNIT



7. FIXING UNIT

REF No.	CODE	Q'TY	DESCRIPTION	MODEL	SPEC	REMARKS
1	LY9389001	1	FUSER UNIT(SP)	DCP-7080		
1	LY9389001	1	FUSER UNIT(SP)	DCP-7080D		
1	LY9389001	1	FUSER UNIT(SP)	DCP-7180DN		
1	LY9389001	1	FUSER UNIT(SP)	DCP-L2500D	FOR ITA/FRA/BEL/NLD/IBR/CEE	
1	LJB343001	1	FUSER UNIT(SP)	DCP-L2500D	FOR GER/UK/CHE/PND	
1	LY9389001	1	FUSER UNIT(SP)	DCP-L2500DR		
1	LJB886001	1	FUSER UNIT(SP)	DCP-L2520D	FOR IND	ADD
1	LY9389001	1	FUSER UNIT(SP)	DCP-L2520D	FOR MYS	
1	LY9389001	1	FUSER UNIT(SP)	DCP-L2520DW	FOR FRA/BEL/NLD/IBR/CEE	
1	LY9388001	1	FUSER UNIT(SP)	DCP-L2520DW	FOR US/CAN	
1	LJB343001	1	FUSER UNIT(SP)	DCP-L2520DW	FOR GER/UK/CHE/PND	
1	LY9467001	1	FUSER UNIT(SP)	DCP-L2520DW	FOR BRZ	
1	LY9389001	1	FUSER UNIT(SP)	DCP-L2520DWR		
1	LY9389001	1	FUSER UNIT(SP)	DCP-L2540DN	FOR ITA/FRA/BEL/NLD/IBR/CEE	
1	LJB343001	1	FUSER UNIT(SP)	DCP-L2540DN	FOR GER/UK/PND	
1	LY9389001	1	FUSER UNIT(SP)	DCP-L2540DNR		
1	LY9389001	1	FUSER UNIT(SP)	DCP-L2540DW	FOR PHL/IDN/THA/ARG/CHL/MYS/PER	
1	LY9388001	1	FUSER UNIT(SP)	DCP-L2540DW	FOR US/CAN	
1	LY9467001	1	FUSER UNIT(SP)	DCP-L2540DW	FOR BRZ	
1	LJB886001	1	FUSER UNIT(SP)	DCP-L2541DW		CHG
1	LY9389001	1	FUSER UNIT(SP)	DCP-L2560DW	FOR FRA/BEL/NLD/CEE	
1	LJB343001	1	FUSER UNIT(SP)	DCP-L2560DW	FOR GER/CHE/PND	
1	LY9389001	1	FUSER UNIT(SP)	DCP-L2560DWR		
1	LY9389001	1	FUSER UNIT(SP)	HL-L2380DW	FOR ARL/NZ	
1	LY9388001	1	FUSER UNIT(SP)	HL-L2380DW	FOR US/CAN	
1	LY9389001	1	FUSER UNIT(SP)	MFC-7380		
1	LY9389001	1	FUSER UNIT(SP)	MFC-7480D		
1	LY9389001	1	FUSER UNIT(SP)	MFC-7880DN		
1	LY9388001	1	FUSER UNIT(SP)	MFC-L2680W		
1	LY9389001	1	FUSER UNIT(SP)	MFC-L2700D	FOR PHL/SAF/IDN/THA/KOR/ MYS/UAE/MENA	
1	LY9388001	1	FUSER UNIT(SP)	MFC-L2700D	FOR TWN	
1	LY9389001	1	FUSER UNIT(SP)	MFC-L2700DN	FOR FRA/ITA/ISR/POL/CEE	
1	LJB343001	1	FUSER UNIT(SP)	MFC-L2700DN	FOR GER/UK/CHE	
1	LY9389001	1	FUSER UNIT(SP)	MFC-L2700DNR		
1	LY9389001	1	FUSER UNIT(SP)	MFC-L2700DW	FOR FRA/ARL/BEL/NLD/ITA/ ISR/CHL/POL/IBR/PER/CEE/ PHL/SAF/NZ/IDN/THA/KOR/ MYS/UAE/MENA	
1	LY9388001	1	FUSER UNIT(SP)	MFC-L2700DW	FOR US/CAN/TWN	
1	LJB343001	1	FUSER UNIT(SP)	MFC-L2700DW	FOR GER/UK/CHE/PND	
1	LY9467001	1	FUSER UNIT(SP)	MFC-L2700DW	FOR BRZ	
1	LY9389001	1	FUSER UNIT(SP)	MFC-L2700DWR		
1	LY9389001	1	FUSER UNIT(SP)	MFC-L2701D	FOR VNM	
1	LJB886001	1	FUSER UNIT(SP)	MFC-L2701D	FOR IND	ADD
1	LY9389001	1	FUSER UNIT(SP)	MFC-L2701DW	FOR VNM	
1	LJB886001	1	FUSER UNIT(SP)	MFC-L2701DW	FOR IND	ADD
1	LY9389001	1	FUSER UNIT(SP)	MFC-L2703DW		
1	LY9388001	1	FUSER UNIT(SP)	MFC-L2705DW		
1	LY9389001	1	FUSER UNIT(SP)	MFC-L2720DW	FOR ARL/ITA/IBR/NZ/ARG/ FRA/BEL/NLD/CEE	
1	LY9388001	1	FUSER UNIT(SP)	MFC-L2720DW	FOR US/CAN	
1	LJB343001	1	FUSER UNIT(SP)	MFC-L2720DW	FOR GER/UK/CHE/PND	
1	LY9467001	1	FUSER UNIT(SP)	MFC-L2720DW	FOR BRZ	
1	LY9389001	1	FUSER UNIT(SP)	MFC-L2720DWR		
1	LY9389001	1	FUSER UNIT(SP)	MFC-L2740DW	FOR ARL/ITA/IBR/SAF/NZ/IDN/ THA/CHL/FRA/BEL/NLD/MYS/ PER/UAE/MENA/CEE	
1	LY9388001	1	FUSER UNIT(SP)	MFC-L2740DW	FOR US/CAN/TWN	
1	LJB343001	1	FUSER UNIT(SP)	MFC-L2740DW	FOR GER/UK/CHE/PND	
1	LY9467001	1	FUSER UNIT(SP)	MFC-L2740DW	FOR BRZ	
1	LY9389001	1	FUSER UNIT(SP)	MFC-L2740DWR		
2	LJ0395001	2	TAPTITE PAN B M4X14			

8. COVERS & LABELS



8. COVERS & LABELS

REF No.	CODE	QTY	DESCRIPTION	MODEL	SPEC	REMARKS
1	LEM701002	1	JOINT COVER ASSY (SP)	DCP-7080		
1	LEM701001	1	JOINT COVER ASSY (SP)	DCP-7080D		
1	LEM701002	1	JOINT COVER ASSY (SP)	DCP-7180DN		
1	LEM701001	1	JOINT COVER ASSY (SP)	DCP-L2500D		
1	LEM701001	1	JOINT COVER ASSY (SP)	DCP-L2500DR		
1	LEM701001	1	JOINT COVER ASSY (SP)	DCP-L2520D		
1	LEM701002	1	JOINT COVER ASSY (SP)	DCP-L2520DW		
1	LEM701002	1	JOINT COVER ASSY (SP)	DCP-L2520DWR		
1	LEM701002	1	JOINT COVER ASSY (SP)	DCP-L2540DN		
1	LEM701002	1	JOINT COVER ASSY (SP)	DCP-L2540DNR		
1	LEM701002	1	JOINT COVER ASSY (SP)	DCP-L2540DW		
1	LEM701002	1	JOINT COVER ASSY (SP)	DCP-L2541DW		
1	LEM701003	1	JOINT COVER ASSY (SP)	DCP-L2560DW		
1	LEM701003	1	JOINT COVER ASSY (SP)	DCP-L2560DWR		
1	LEM701003	1	JOINT COVER ASSY (SP)	HL-L2380DW		
1	LEM703001	1	JOINT COVER ASSY (SP)	MFC-7380		
1	LEM703001	1	JOINT COVER ASSY (SP)	MFC-7480D		
1	LEM703002	1	JOINT COVER ASSY (SP)	MFC-7880DN		
1	LEM702001	1	JOINT COVER ASSY (SP)	MFC-L2680W		
1	LEM702001	1	JOINT COVER ASSY (SP)	MFC-L2700D		
1	LEM702001	1	JOINT COVER ASSY (SP)	MFC-L2700DN		
1	LEM702001	1	JOINT COVER ASSY (SP)	MFC-L2700DNR		
1	LEM702001	1	JOINT COVER ASSY (SP)	MFC-L2700DW		
1	LEM702001	1	JOINT COVER ASSY (SP)	MFC-L2700DWR		
1	LEM702001	1	JOINT COVER ASSY (SP)	MFC-L2701D		
1	LEM702001	1	JOINT COVER ASSY (SP)	MFC-L2701DW		
1	LEM702001	1	JOINT COVER ASSY (SP)	MFC-L2703DW		
1	LEM702001	1	JOINT COVER ASSY (SP)	MFC-L2705DW		
1	LEM702002	1	JOINT COVER ASSY (SP)	MFC-L2720DW		
1	LEM702002	1	JOINT COVER ASSY (SP)	MFC-L2720DWR		
1	LEM702002	1	JOINT COVER ASSY (SP)	MFC-L2740DW		
1	LEM702002	1	JOINT COVER ASSY (SP)	MFC-L2740DWR		
2	LEM275002	1	FRONT COVER ASSY	DCP-7080		
2	LEM275001	1	FRONT COVER ASSY	DCP-7080D		
2	LEM275002	1	FRONT COVER ASSY	DCP-7180DN		
2	LEM283001	1	FRONT COVER ASSY	DCP-L2500D		
2	LEM003001	1	FRONT COVER ASSY	DCP-L2500DR		chg
2	LEM003001	1	FRONT COVER ASSY	DCP-L2520D	FOR IND	
2	LEM275001	1	FRONT COVER ASSY	DCP-L2520D	FOR MYS	
2	LEM003002	1	FRONT COVER ASSY	DCP-L2520DW	FOR US/CAN	
2	LEM275002	1	FRONT COVER ASSY	DCP-L2520DW	FOR BRZ	
2	LEM283002	1	FRONT COVER ASSY	DCP-L2520DW	FOR GER/UK/CHE/FRA/BEL/NLD/ PND/IBR/CEE	
2	LEM003002	1	FRONT COVER ASSY	DCP-L2520DWR		chg
2	LEM283002	1	FRONT COVER ASSY	DCP-L2540DN		
2	LEM003002	1	FRONT COVER ASSY	DCP-L2540DNR		chg
2	LEM275002	1	FRONT COVER ASSY	DCP-L2540DW	FOR PHL/THA/ARG/CHL/BRZ/MYS/PER	
2	LEM003002	1	FRONT COVER ASSY	DCP-L2540DW	FOR US/CAN	
2	LEM283002	1	FRONT COVER ASSY	DCP-L2540DW	FOR IDN	
2	LEM003002	1	FRONT COVER ASSY	DCP-L2541DW		
2	LEM283003	1	FRONT COVER ASSY	DCP-L2560DW		
2	LEM003003	1	FRONT COVER ASSY	DCP-L2560DWR		
2	LEM003003	1	FRONT COVER ASSY	HL-L2380DW	FOR US/CAN/NZ	
2	LEM273003	1	FRONT COVER ASSY	HL-L2380DW	FOR ARL	
2	LEM275001	1	FRONT COVER ASSY	MFC-7380		
2	LEM275001	1	FRONT COVER ASSY	MFC-7480D		
2	LEM275002	1	FRONT COVER ASSY	MFC-7880DN		
2	LEM003001	1	FRONT COVER ASSY	MFC-L2680W		
2	LEM275001	1	FRONT COVER ASSY	MFC-L2700D	FOR PHL/TWN/THA/KOR/MYS	
2	LEM283001	1	FRONT COVER ASSY	MFC-L2700D	FOR IDN	
2	LEM273001	1	FRONT COVER ASSY	MFC-L2700D	FOR SAF/UAE/MENA	
2	LEM283001	1	FRONT COVER ASSY	MFC-L2700DN		
2	LEM003001	1	FRONT COVER ASSY	MFC-L2700DNR		
2	LEM275001	1	FRONT COVER ASSY	MFC-L2700DW	FOR CHL/BRZ/PER/PHL/TWN/ THA/KOR/MYS	
2	LEM283001	1	FRONT COVER ASSY	MFC-L2700DW	FOR GER/UK/FRA/BEL/NLD/ CHE/ITA/ISR/POL/PND/IBR/CEE/IDN	
2	LEM003001	1	FRONT COVER ASSY	MFC-L2700DW	FOR US/CAN/NZ	chg
2	LEM273001	1	FRONT COVER ASSY	MFC-L2700DW	FOR ARL/SAF/UAE/MENA	
2	LEM003001	1	FRONT COVER ASSY	MFC-L2700DWR		chg
2	LEM003001	1	FRONT COVER ASSY	MFC-L2701D	FOR IND	
2	LEM273001	1	FRONT COVER ASSY	MFC-L2701D	FOR VNM	

8. COVERS & LABELS

REF No.	CODE	Q'TY	DESCRIPTION	MODEL	SPEC	REMARKS
2	LEM003001	1	FRONT COVER ASSY	MFC-L2701DW	FOR IND	
2	LEM273001	1	FRONT COVER ASSY	MFC-L2701DW	FOR VNM	chg
2	LEM273002	1	FRONT COVER ASSY	MFC-L2703DW		
2	LEM003001	1	FRONT COVER ASSY	MFC-L2705DW		
2	LEM275002	1	FRONT COVER ASSY	MFC-L2720DW	FOR ARG/BRZ	
2	LEM273002	1	FRONT COVER ASSY	MFC-L2720DW	FOR ARL	
2	LEM003002	1	FRONT COVER ASSY	MFC-L2720DW	FOR US/CAN/NZ	
2	LEM283002	1	FRONT COVER ASSY	MFC-L2720DW	FOR GER/UK/CHE/ITA/IBR/ FRA/BEL/NLD/PND/CEE	
2	LEM003002	1	FRONT COVER ASSY	MFC-L2720DWR		
2	LEM003002	1	FRONT COVER ASSY	MFC-L2740DW	FOR US/CAN/NZ	
2	LEM283002	1	FRONT COVER ASSY	MFC-L2740DW	FOR GER/UK/CHE/ITA/IBR/IDN/ FRA/BEL/NLD/PND/CEE	
2	LEM275002	1	FRONT COVER ASSY	MFC-L2740DW	FOR TWN/THA/CHL/BRZ/MYS/PER	
2	LEM273002	1	FRONT COVER ASSY	MFC-L2740DW	FOR ARL/SAF/UAE/MENA	
2	LEM003002	1	FRONT COVER ASSY	MFC-L2740DWR		
3	LEM005002	1	SUPPORT FLAP	DCP-7080		
3	LEM005001	1	SUPPORT FLAP	DCP-7080D		
3	LEM005002	1	SUPPORT FLAP	DCP-7180DN		
3	LEM005001	1	SUPPORT FLAP	DCP-L2500D		
3	LEM005001	1	SUPPORT FLAP	DCP-L2500DR		
3	LEM005001	1	SUPPORT FLAP	DCP-L2520D		
3	LEM005002	1	SUPPORT FLAP	DCP-L2520DW		
3	LEM005002	1	SUPPORT FLAP	DCP-L2520DWR		
3	LEM005002	1	SUPPORT FLAP	DCP-L2540DN		
3	LEM005002	1	SUPPORT FLAP	DCP-L2540DNR		
3	LEM005002	1	SUPPORT FLAP	DCP-L2540DW		
3	LEM005002	1	SUPPORT FLAP	DCP-L2541DW		
3	LEM005003	1	SUPPORT FLAP	DCP-L2560DW		
3	LEM005003	1	SUPPORT FLAP	DCP-L2560DWR		
3	LEM005003	1	SUPPORT FLAP	HL-L2380DW		
3	LEM005001	1	SUPPORT FLAP	MFC-7380		
3	LEM005001	1	SUPPORT FLAP	MFC-7480D		
3	LEM005002	1	SUPPORT FLAP	MFC-7880DN		
3	LEM005001	1	SUPPORT FLAP	MFC-L2680W		
3	LEM005001	1	SUPPORT FLAP	MFC-L2700D		
3	LEM005001	1	SUPPORT FLAP	MFC-L2700DN		
3	LEM005001	1	SUPPORT FLAP	MFC-L2700DNR		
3	LEM005001	1	SUPPORT FLAP	MFC-L2700DW		
3	LEM005001	1	SUPPORT FLAP	MFC-L2700DWR		
3	LEM005001	1	SUPPORT FLAP	MFC-L2701D		
3	LEM005001	1	SUPPORT FLAP	MFC-L2701DW		
3	LEM005002	1	SUPPORT FLAP	MFC-L2703DW		
3	LEM005001	1	SUPPORT FLAP	MFC-L2705DW		
3	LEM005002	1	SUPPORT FLAP	MFC-L2720DW		
3	LEM005002	1	SUPPORT FLAP	MFC-L2720DWR		
3	LEM005002	1	SUPPORT FLAP	MFC-L2740DW		
3	LEM005002	1	SUPPORT FLAP	MFC-L2740DWR		
4	LY9130002	1	INNER CHUTE ASSY	DCP-7080		
4	LY9130003	1	INNER CHUTE ASSY	DCP-7080D		
4	LY9130002	1	INNER CHUTE ASSY	DCP-7180DN		
4	LY9130003	1	INNER CHUTE ASSY	DCP-L2500D		
4	LY9130003	1	INNER CHUTE ASSY	DCP-L2500DR		
4	LY9130003	1	INNER CHUTE ASSY	DCP-L2520D		
4	LY9130002	1	INNER CHUTE ASSY	DCP-L2520DW		
4	LY9130002	1	INNER CHUTE ASSY	DCP-L2520DWR		
4	LY9130002	1	INNER CHUTE ASSY	DCP-L2540DN		
4	LY9130002	1	INNER CHUTE ASSY	DCP-L2540DNR		
4	LY9130002	1	INNER CHUTE ASSY	DCP-L2540DW		
4	LY9130002	1	INNER CHUTE ASSY	DCP-L2541DW		
4	LY9130001	1	INNER CHUTE ASSY	DCP-L2560DW		
4	LY9130001	1	INNER CHUTE ASSY	DCP-L2560DWR		
4	LY9130001	1	INNER CHUTE ASSY	HL-L2380DW		
4	LY9130003	1	INNER CHUTE ASSY	MFC-7380		
4	LY9130003	1	INNER CHUTE ASSY	MFC-7480D		
4	LY9130002	1	INNER CHUTE ASSY	MFC-7880DN		
4	LY9130003	1	INNER CHUTE ASSY	MFC-L2680W		
4	LY9130003	1	INNER CHUTE ASSY	MFC-L2700D		
4	LY9130003	1	INNER CHUTE ASSY	MFC-L2700DN		
4	LY9130003	1	INNER CHUTE ASSY	MFC-L2700DNR		
4	LY9130003	1	INNER CHUTE ASSY	MFC-L2700DW		
4	LY9130003	1	INNER CHUTE ASSY	MFC-L2700DWR		

8. COVERS & LABELS

REF No.	CODE	QTY	DESCRIPTION	MODEL	SPEC	REMARKS
4	LY9130003	1	INNER CHUTE ASSY	MFC-L2701D		
4	LY9130003	1	INNER CHUTE ASSY	MFC-L2701DW		
4	LY9130002	1	INNER CHUTE ASSY	MFC-L2703DW		
4	LY9130003	1	INNER CHUTE ASSY	MFC-L2705DW		
4	LY9130002	1	INNER CHUTE ASSY	MFC-L2720DW		
4	LY9130002	1	INNER CHUTE ASSY	MFC-L2720DWR		
4	LY9130002	1	INNER CHUTE ASSY	MFC-L2740DW		
4	LY9130002	1	INNER CHUTE ASSY	MFC-L2740DWR		
5	LY9136001	1	FUSER COVER			
6	LY9146001	1	OUTER CHUTE ASSY			
7	LJB498002	1	BACK COVER ASSY	DCP-7080		CHG
7	LJB273001	1	BACK COVER	DCP-7080D		chg
7	LJB273002	1	BACK COVER	DCP-7180DN		chg
7	LY9148001	1	BACK COVER	DCP-L2500D		
7	LY9148001	1	BACK COVER	DCP-L2500DR		
7	LY9148001	1	BACK COVER	DCP-L2520D		
7	LY9148002	1	BACK COVER	DCP-L2520DW		
7	LY9148002	1	BACK COVER	DCP-L2520DWR		
7	LY9148002	1	BACK COVER	DCP-L2540DN		
7	LY9148002	1	BACK COVER	DCP-L2540DNR		
7	LY9148002	1	BACK COVER	DCP-L2540DW		
7	LY9148002	1	BACK COVER	DCP-L2541DW		
7	LY9148003	1	BACK COVER	DCP-L2560DW		
7	LY9148003	1	BACK COVER	DCP-L2560DWR		
7	LY9148003	1	BACK COVER	HL-L2380DW		
7	LJB498001	1	BACK COVER ASSY	MFC-7380		CHG
7	LJB273001	1	BACK COVER	MFC-7480D		chg
7	LJB273002	1	BACK COVER	MFC-7880DN		chg
7	LY9502001	1	BACK COVER ASSY	MFC-L2680W		CHG
7	LY9148001	1	BACK COVER	MFC-L2700D		
7	LY9148001	1	BACK COVER	MFC-L2700DN		
7	LY9148001	1	BACK COVER	MFC-L2700DNR		
7	LY9148001	1	BACK COVER	MFC-L2700DW		
7	LY9148001	1	BACK COVER	MFC-L2700DWR		
7	LY9148001	1	BACK COVER	MFC-L2701D		
7	LY9148001	1	BACK COVER	MFC-L2701DW		
7	LY9148002	1	BACK COVER	MFC-L2703DW		
7	LY9148001	1	BACK COVER	MFC-L2705DW		
7	LY9148002	1	BACK COVER	MFC-L2720DW		
7	LY9148002	1	BACK COVER	MFC-L2720DWR		
7	LY9148002	1	BACK COVER	MFC-L2740DW		
7	LY9148002	1	BACK COVER	MFC-L2740DWR		
8	LEM009002	1	SIDE COVER L	DCP-7080		
8	LEM009001	1	SIDE COVER L	DCP-7080D		
8	LEM009002	1	SIDE COVER L	DCP-7180DN		
8	LEM009001	1	SIDE COVER L	DCP-L2500D		
8	LEM009001	1	SIDE COVER L	DCP-L2500DR		
8	LEM009001	1	SIDE COVER L	DCP-L2520D		
8	LEM009002	1	SIDE COVER L	DCP-L2520DW		
8	LEM009002	1	SIDE COVER L	DCP-L2520DWR		
8	LEM009002	1	SIDE COVER L	DCP-L2540DN		
8	LEM009002	1	SIDE COVER L	DCP-L2540DNR		
8	LEM009002	1	SIDE COVER L	DCP-L2540DW		
8	LEM009002	1	SIDE COVER L	DCP-L2541DW		
8	LEM009003	1	SIDE COVER L	DCP-L2560DW		
8	LEM009003	1	SIDE COVER L	DCP-L2560DWR		
8	LEM009003	1	SIDE COVER L	HL-L2380DW		
8	LEM230001	1	SIDE COVER L	MFC-7380		
8	LEM230001	1	SIDE COVER L	MFC-7480D		
8	LEM230002	1	SIDE COVER L	MFC-7880DN		
8	LEM009001	1	SIDE COVER L	MFC-L2680W		
8	LEM009001	1	SIDE COVER L	MFC-L2700D		
8	LEM009001	1	SIDE COVER L	MFC-L2700DN		
8	LEM009001	1	SIDE COVER L	MFC-L2700DNR		
8	LEM009001	1	SIDE COVER L	MFC-L2700DW		
8	LEM009001	1	SIDE COVER L	MFC-L2700DWR		
8	LEM009001	1	SIDE COVER L	MFC-L2701D		
8	LEM009001	1	SIDE COVER L	MFC-L2701DW		
8	LEM009002	1	SIDE COVER L	MFC-L2703DW		
8	LEM009001	1	SIDE COVER L	MFC-L2705DW		
8	LEM009002	1	SIDE COVER L	MFC-L2720DW		
8	LEM009002	1	SIDE COVER L	MFC-L2720DWR		

8. COVERS & LABELS

REF No.	CODE	QTY	DESCRIPTION	MODEL	SPEC	REMARKS
8	LEM009002	1	SIDE COVER L	MFC-L2740DW		
8	LEM009002	1	SIDE COVER L	MFC-L2740DWR		
8-1	LX5296011	1	LOWER HANDSET COVER	MFC-7380		
8-1	LX5296011	1	LOWER HANDSET COVER	MFC-7480D		
8-1	LX5296012	1	LOWER HANDSET COVER	MFC-7880DN		
8-2	LX5297011	1	UPPER HANDSET COVER	MFC-7380		
8-2	LX5297011	1	UPPER HANDSET COVER	MFC-7480D		
8-2	LX5297012	1	UPPER HANDSET COVER	MFC-7880DN		
8-3	LT1764001	1	HOOK SWITCH PCB ASSY	MFC-7380		
8-3	LT1764001	1	HOOK SWITCH PCB ASSY	MFC-7480D		
8-3	LT1764001	1	HOOK SWITCH PCB ASSY	MFC-7880DN		
8-4	LS0018011	1	ACTUATOR HOOK	MFC-7380		
8-4	LS0018011	1	ACTUATOR HOOK	MFC-7480D		
8-4	LS0018011	1	ACTUATOR HOOK	MFC-7880DN		
9	LEM880002	1	SIDE COVER R	DCP-7080		chg
9	LEM880001	1	SIDE COVER R	DCP-7080D		chg
9	LEM880002	1	SIDE COVER R	DCP-7180DN		chg
9	LEM148001	1	SIDE COVER R	DCP-L2500D		
9	LEM148001	1	SIDE COVER R	DCP-L2500DR		
9	LEM010001	1	SIDE COVER R	DCP-L2520D		
9	LEM010002	1	SIDE COVER R	DCP-L2520DW	FOR US/CAN/BRZ	
9	LEM148002	1	SIDE COVER R	DCP-L2520DW	FOR GER/UK/CHE/FRA/BEL/NLD/ PND/IBR/CEE	
9	LEM148002	1	SIDE COVER R	DCP-L2520DWR		
9	LEM148002	1	SIDE COVER R	DCP-L2540DN		
9	LEM148002	1	SIDE COVER R	DCP-L2540DNR		
9	LEM010002	1	SIDE COVER R	DCP-L2540DW	FOR US/CAN/PHL/IDN/THA/BRZ/MYS	
9	LEM148002	1	SIDE COVER R	DCP-L2540DW	FOR ARG/CHL/PER	
9	LEM010002	1	SIDE COVER R	DCP-L2541DW		
9	LEM148003	1	SIDE COVER R	DCP-L2560DW		
9	LEM148003	1	SIDE COVER R	DCP-L2560DWR		
9	LEM010003	1	SIDE COVER R	HL-L2380DW		
9	LEM880001	1	SIDE COVER R	MFC-7380		chg
9	LEM880001	1	SIDE COVER R	MFC-7480D		chg
9	LEM880002	1	SIDE COVER R	MFC-7880DN		chg
9	LEM010001	1	SIDE COVER R	MFC-L2680W		
9	LEM010001	1	SIDE COVER R	MFC-L2700D		
9	LEM148001	1	SIDE COVER R	MFC-L2700DN		
9	LEM148001	1	SIDE COVER R	MFC-L2700DNR		
9	LEM010001	1	SIDE COVER R	MFC-L2700DW	FOR US/CAN/ARL/BRZ/PHL/ TWN/SAF/NZ/IDN/THA/KOR/ MYS/UAE/MENA	
9	LEM148001	1	SIDE COVER R	MFC-L2700DW	FOR GER/UK/FRA/BEL/NLD/ CHE/ITA/ISR/CHL/POL/PND/ IBR/PER/CEE	
9	LEM148001	1	SIDE COVER R	MFC-L2700DWR		
9	LEM010001	1	SIDE COVER R	MFC-L2701D		
9	LEM010001	1	SIDE COVER R	MFC-L2701DW		
9	LEM010002	1	SIDE COVER R	MFC-L2703DW		
9	LEM010001	1	SIDE COVER R	MFC-L2705DW		
9	LEM010002	1	SIDE COVER R	MFC-L2720DW	FOR US/CAN/ARL/NZ/BRZ	
9	LEM148002	1	SIDE COVER R	MFC-L2720DW	FOR GER/UK/CHE/ITA/IBR/ARG/ FRA/BEL/NLD/PND/CEE	
9	LEM148002	1	SIDE COVER R	MFC-L2720DWR		
9	LEM010002	1	SIDE COVER R	MFC-L2740DW	FOR US/CAN/ARL/TWN/SAF/NZ/ IDN/THA/BRZ/MYS/UAE/MENA	
9	LEM148002	1	SIDE COVER R	MFC-L2740DW	FOR GER/UK/CHE/ITA/IBR/CHL/ FRA/BEL/NLD/PND/PER/CEE	
9	LEM148002	1	SIDE COVER R	MFC-L2740DWR		
10	LT3186001	1	SPEAKER UNIT	DCP-L2560DW		
10	LT3186001	1	SPEAKER UNIT	DCP-L2560DWR		
10	LT3186001	1	SPEAKER UNIT	HL-L2380DW		
10	LT3186001	1	SPEAKER UNIT	MFC-7380		
10	LT3186001	1	SPEAKER UNIT	MFC-7480D		
10	LT3186001	1	SPEAKER UNIT	MFC-7880DN		
10	LT3186001	1	SPEAKER UNIT	MFC-L2680W		
10	LT3186001	1	SPEAKER UNIT	MFC-L2700D		
10	LT3186001	1	SPEAKER UNIT	MFC-L2700DN		
10	LT3186001	1	SPEAKER UNIT	MFC-L2700DNR		
10	LT3186001	1	SPEAKER UNIT	MFC-L2700DW		
10	LT3186001	1	SPEAKER UNIT	MFC-L2700DWR		

8. COVERS & LABELS

REF No.	CODE	QTY	DESCRIPTION	MODEL	SPEC	REMARKS
10	LT3186001	1	SPEAKER UNIT	MFC-L2701D		
10	LT3186001	1	SPEAKER UNIT	MFC-L2701DW		
10	LT3186001	1	SPEAKER UNIT	MFC-L2703DW		
10	LT3186001	1	SPEAKER UNIT	MFC-L2705DW		
10	LT3186001	1	SPEAKER UNIT	MFC-L2720DW		
10	LT3186001	1	SPEAKER UNIT	MFC-L2720DWR		
10	LT3186001	1	SPEAKER UNIT	MFC-L2740DW		
10	LT3186001	1	SPEAKER UNIT	MFC-L2740DWR		
11	LF6145001	1	PULL ARM L			
12	LF6146001	1	PULL ARM R			
13	LS0340001	2	PULL ARM GUIDE	DCP-7080		
13	LS0340001	2	PULL ARM GUIDE	DCP-7080D		
13	LEM154001	2	PULL ARM GUIDE	DCP-7180DN		
13	LS0340001	2	PULL ARM GUIDE	DCP-L2500D		
13	LS0340001	2	PULL ARM GUIDE	DCP-L2500DR		
13	LS0340001	2	PULL ARM GUIDE	DCP-L2520D		
13	LS0340001	2	PULL ARM GUIDE	DCP-L2520DW		
13	LS0340001	2	PULL ARM GUIDE	DCP-L2520DWR		
13	LEM154001	2	PULL ARM GUIDE	DCP-L2540DN		
13	LEM154001	2	PULL ARM GUIDE	DCP-L2540DNR		
13	LEM154001	2	PULL ARM GUIDE	DCP-L2540DW		
13	LEM154001	2	PULL ARM GUIDE	DCP-L2541DW		
13	LS0340001	2	PULL ARM GUIDE	DCP-L2560DW		
13	LS0340001	2	PULL ARM GUIDE	DCP-L2560DWR		
13	LS0340001	2	PULL ARM GUIDE	HL-L2380DW		
13	LEM154001	2	PULL ARM GUIDE	MFC-7380		
13	LEM154001	2	PULL ARM GUIDE	MFC-7480D		
13	LEM154001	2	PULL ARM GUIDE	MFC-7880DN		
13	LEM154001	2	PULL ARM GUIDE	MFC-L2680W		
13	LEM154001	2	PULL ARM GUIDE	MFC-L2700D		
13	LEM154001	2	PULL ARM GUIDE	MFC-L2700DN		
13	LEM154001	2	PULL ARM GUIDE	MFC-L2700DNR		
13	LEM154001	2	PULL ARM GUIDE	MFC-L2700DW		
13	LEM154001	2	PULL ARM GUIDE	MFC-L2700DWR		
13	LEM154001	2	PULL ARM GUIDE	MFC-L2701D		
13	LEM154001	2	PULL ARM GUIDE	MFC-L2701DW		
13	LEM154001	2	PULL ARM GUIDE	MFC-L2703DW		
13	LEM154001	2	PULL ARM GUIDE	MFC-L2705DW		
13	LEM154001	2	PULL ARM GUIDE	MFC-L2720DW		
13	LEM154001	2	PULL ARM GUIDE	MFC-L2720DWR		
13	LEM154001	2	PULL ARM GUIDE	MFC-L2740DW		
13	LEM154001	2	PULL ARM GUIDE	MFC-L2740DWR		
14	LF6148001	2	LOCK CLAW			
15	LEM796001	2	PULL ARM SPRING			
16	LF6745002	2	CORD HOOK	MFC-7380		
16	LF6745002	2	CORD HOOK	MFC-7480D		
16	LF6745002	2	CORD HOOK	MFC-7880DN		
16	LF6745002	2	CORD HOOK	MFC-L2680W		
16	LF6745002	2	CORD HOOK	MFC-L2700D		
16	LF6745002	2	CORD HOOK	MFC-L2700DN		
16	LF6745002	2	CORD HOOK	MFC-L2700DNR		
16	LF6745002	2	CORD HOOK	MFC-L2700DW		
16	LF6745002	2	CORD HOOK	MFC-L2700DWR		
16	LF6745002	2	CORD HOOK	MFC-L2701D		
16	LF6745002	2	CORD HOOK	MFC-L2701DW		
16	LF6745002	2	CORD HOOK	MFC-L2703DW		
16	LF6745002	2	CORD HOOK	MFC-L2705DW		
16	LF6745002	2	CORD HOOK	MFC-L2720DW		
16	LF6745002	2	CORD HOOK	MFC-L2720DWR		
16	LF6745002	2	CORD HOOK	MFC-L2740DW		
16	LF6745002	2	CORD HOOK	MFC-L2740DWR		
17	LY0872001	1	LAN PORT CAP	DCP-7180DN		
17	LY0872001	1	LAN PORT CAP	DCP-L2540DN		
17	LY0872001	1	LAN PORT CAP	DCP-L2540DNR		
17	LY0872001	1	LAN PORT CAP	DCP-L2540DW		
17	LY0872001	1	LAN PORT CAP	DCP-L2541DW		
17	LY0872001	1	LAN PORT CAP	DCP-L2560DW		
17	LY0872001	1	LAN PORT CAP	DCP-L2560DWR		
17	LY0872001	1	LAN PORT CAP	HL-L2380DW		
17	LY0872001	1	LAN PORT CAP	MFC-7880DN		
17	LY0872001	1	LAN PORT CAP	MFC-L2700DN		
17	LY0872001	1	LAN PORT CAP	MFC-L2700DNR		

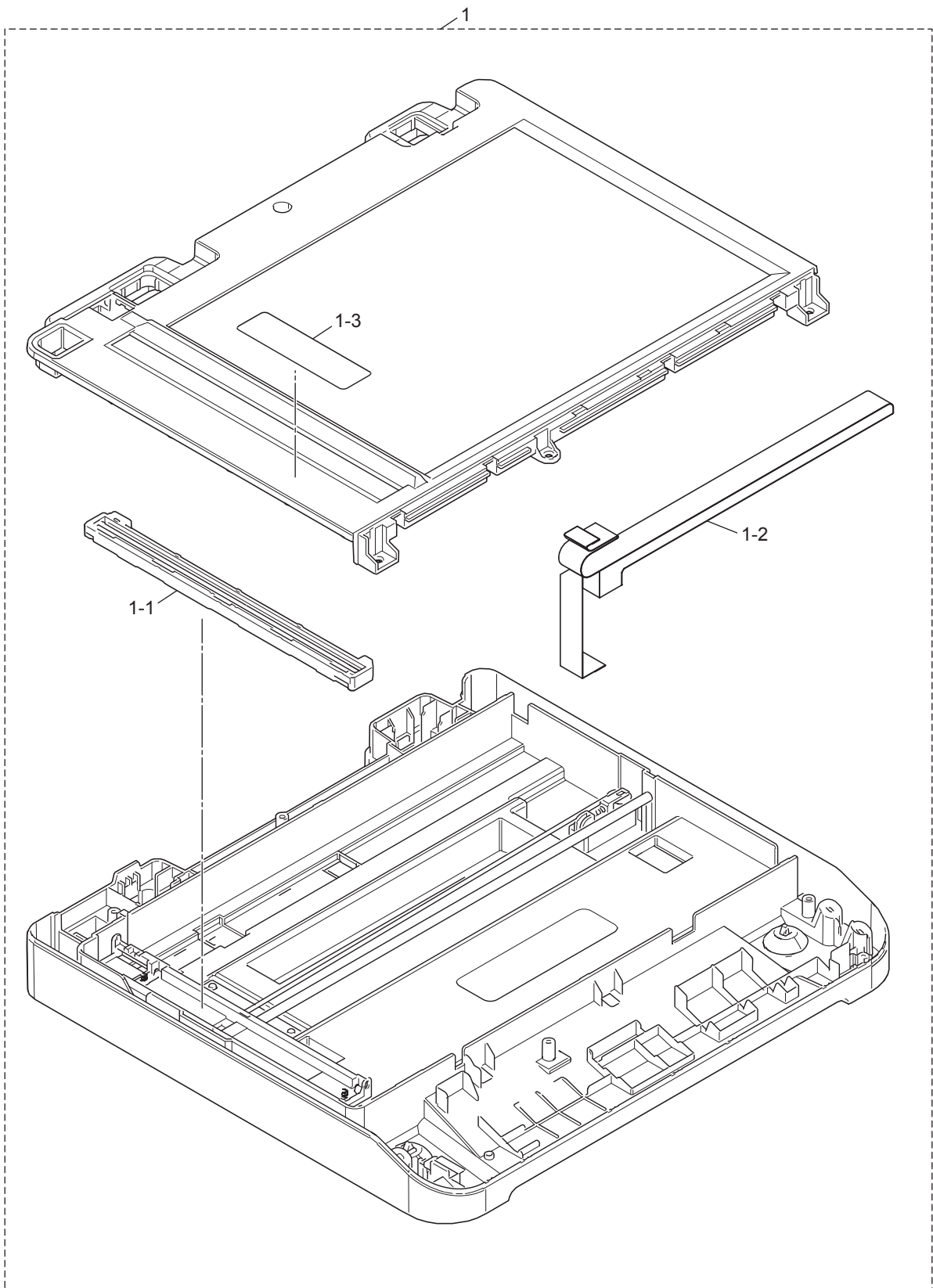
8. COVERS & LABELS

REF No.	CODE	QTY	DESCRIPTION	MODEL	SPEC	REMARKS
17	LY0872001	1	LAN PORT CAP	MFC-L2700DW		
17	LY0872001	1	LAN PORT CAP	MFC-L2700DWR		
17	LY0872001	1	LAN PORT CAP	MFC-L2701DW		
17	LY0872001	1	LAN PORT CAP	MFC-L2703DW		
17	LY0872001	1	LAN PORT CAP	MFC-L2705DW		
17	LY0872001	1	LAN PORT CAP	MFC-L2720DW		
17	LY0872001	1	LAN PORT CAP	MFC-L2720DWR		
17	LY0872001	1	LAN PORT CAP	MFC-L2740DW		
17	LY0872001	1	LAN PORT CAP	MFC-L2740DWR		
18	LE8842001	1	EXT CAP	MFC-L2680W		
18	LE8842001	1	EXT CAP	MFC-L2700D		
18	UF5745000	1	MJ COVER EXT	MFC-L2700DN	FOR GER/UK/FRA	
18	LE8842001	1	EXT CAP	MFC-L2700DN	FOR CHE/ITA/ISR/POL/CEE	
18	LE8842001	1	EXT CAP	MFC-L2700DNR		
18	LE8842001	1	EXT CAP	MFC-L2700DW	FOR US/CAN/ARL/NLD/CHE/ITA/ ISR/CHL/POL/BRZ/PND/IBR/PER/ CEE/PHL/TWN/SAF/NZ/IDN/THA/ KOR/MYS/UAE/MENA	
18	UF5745000	1	MJ COVER EXT	MFC-L2700DW	FOR GER/UK/FRA/BEL	
18	LE8842001	1	EXT CAP	MFC-L2700DWR		
18	LE8842001	1	EXT CAP	MFC-L2701D		
18	LE8842001	1	EXT CAP	MFC-L2701DW		
18	LE8842001	1	EXT CAP	MFC-L2703DW		
18	LE8842001	1	EXT CAP	MFC-L2705DW		
18	LE8842001	1	EXT CAP	MFC-L2720DW	FOR US/CAN/ARL/CHE/ITA/IBR/ NZ/ARG/BRZ/PND/CEE	
18	UF5745000	1	MJ COVER EXT	MFC-L2720DW	FOR GER/UK/FRA/BEL/NLD	
18	LE8842001	1	EXT CAP	MFC-L2720DWR		
18	LE8842001	1	EXT CAP	MFC-L2740DW	FOR US/CAN/ARL/CHE/ITA/IBR/ TWN/SAF/NZ/IDN/THA/CHL/BRZ/ PND/MYS/PER/UAE/MENA/CEE	
18	UF5745000	1	MJ COVER EXT	MFC-L2740DW	FOR GER/UK/FRA/BEL/NLD	
18	LE8842001	1	EXT CAP	MFC-L2740DWR		
19	LEM160001	1	LABEL H CAUTION FRONT 21X33	DCP-7080		
19	LEM160001	1	LABEL H CAUTION FRONT 21X33	DCP-7080D		
19	LEM160001	1	LABEL H CAUTION FRONT 21X33	DCP-7180DN		
19	LEM160001	1	LABEL H CAUTION FRONT 21X33	DCP-L2500D		
19	LEM160001	1	LABEL H CAUTION FRONT 21X33	DCP-L2500DR		
19	LEM160001	1	LABEL H CAUTION FRONT 21X33	DCP-L2520D		
19	LEM160001	1	LABEL H CAUTION FRONT 21X33	DCP-L2520DW	FOR CAN/GER/UK/CHE/BRZ/ FRA/BEL/NLD/PND/IBR/CEE	
19	LEM158001	1	LABEL H CAUTION FRONT US 21X41	DCP-L2520DW	FOR US	
19	LEM160001	1	LABEL H CAUTION FRONT 21X33	DCP-L2520DWR		
19	LEM160001	1	LABEL H CAUTION FRONT 21X33	DCP-L2540DN		
19	LEM160001	1	LABEL H CAUTION FRONT 21X33	DCP-L2540DNR		
19	LEM160001	1	LABEL H CAUTION FRONT 21X33	DCP-L2540DW	FOR CAN/PHL/IDN/THA/ARG/ CHL/BRZ/MYS/PER	
19	LEM158001	1	LABEL H CAUTION FRONT US 21X41	DCP-L2540DW	FOR US	
19	LEM160001	1	LABEL H CAUTION FRONT 21X33	DCP-L2541DW		
19	LEM160001	1	LABEL H CAUTION FRONT 21X33	DCP-L2560DW		
19	LEM160001	1	LABEL H CAUTION FRONT 21X33	DCP-L2560DWR		
19	LEM160001	1	LABEL H CAUTION FRONT 21X33	HL-L2380DW	FOR CAN/ARL/NZ	
19	LEM158001	1	LABEL H CAUTION FRONT US 21X41	HL-L2380DW	FOR US	
19	LEM160001	1	LABEL H CAUTION FRONT 21X33	MFC-7380		
19	LEM160001	1	LABEL H CAUTION FRONT 21X33	MFC-7480D		
19	LEM160001	1	LABEL H CAUTION FRONT 21X33	MFC-7880DN		
19	LEM158001	1	LABEL H CAUTION FRONT 21X33	MFC-L2680W		
19	LEM160001	1	LABEL H CAUTION FRONT 21X33	MFC-L2700D		
19	LEM160001	1	LABEL H CAUTION FRONT 21X33	MFC-L2700DN		
19	LEM160001	1	LABEL H CAUTION FRONT 21X33	MFC-L2700DNR		
19	LEM160001	1	LABEL H CAUTION FRONT 21X33	MFC-L2700DW	FOR CAN/GER/UK/FRA/ARL/ BEL/NLD/CHE/ITA/ISR/CHL/ POL/BRZ/PND/IBR/PER/CEE/ PHL/TWN/SAF/NZ/IDN/THA/ KOR/MYS/UAE/MENA	
19	LEM158001	1	LABEL H CAUTION FRONT US 21X41	MFC-L2700DW	FOR US	
19	LEM160001	1	LABEL H CAUTION FRONT 21X33	MFC-L2700DWR		
19	LEM160001	1	LABEL H CAUTION FRONT 21X33	MFC-L2701D		
19	LEM160001	1	LABEL H CAUTION FRONT 21X33	MFC-L2701DW		
19	LEM160001	1	LABEL H CAUTION FRONT 21X33	MFC-L2703DW		
19	LEM158001	1	LABEL H CAUTION FRONT US 21X41	MFC-L2705DW		

8. COVERS & LABELS

REF No.	CODE	Q'TY	DESCRIPTION	MODEL	SPEC	REMARKS
19	LEM160001	1	LABEL H CAUTION FRONT 21X33	MFC-L2720DW	FOR CAN/GER/UK/ARL/CHE/ITA/ IBR/NZ/ARG/BRZ/FRA/BEL/NLD/ PND/CEE	
19	LEM158001	1	LABEL H CAUTION FRONT US 21X41	MFC-L2720DW	FOR US	
19	LEM160001	1	LABEL H CAUTION FRONT 21X33	MFC-L2720DWR		
19	LEM160001	1	LABEL H CAUTION FRONT 21X33	MFC-L2740DW	FOR CAN/GER/UK/ARL/CHE/ ITA/IBR/TWN/SAF/NZ/IDN/ THA/CHL/BRZ/FRA/BEL/NLD/ PND/MYS/PER/UAE/MENA/CEE	
19	LEM158001	1	LABEL H CAUTION FRONT US 21X41	MFC-L2740DW	FOR US	
19	LEM160001	1	LABEL H CAUTION FRONT 21X33	MFC-L2740DWR		
20	LY9330001	1	LABEL H CAUTION REAR 12X95			

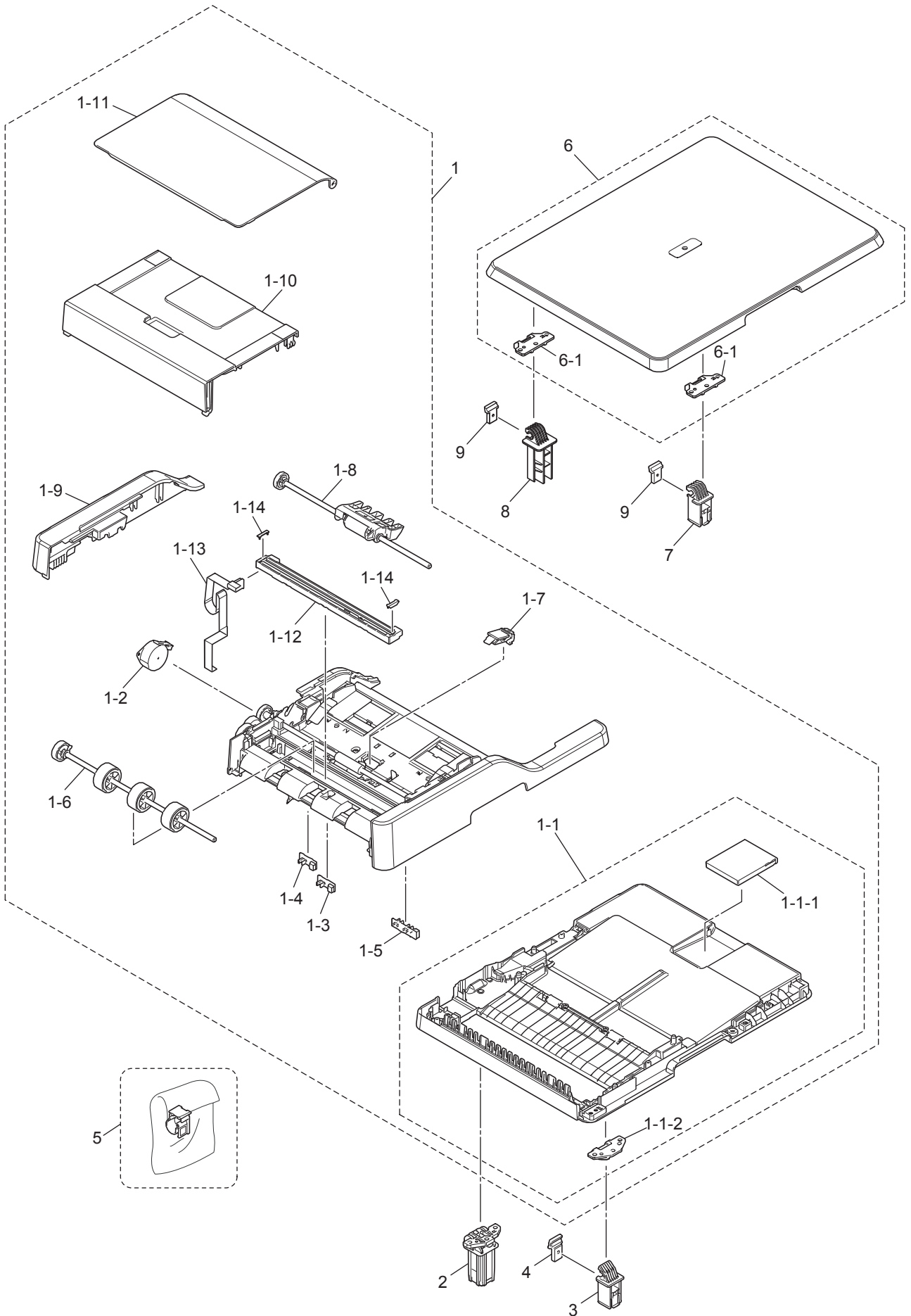
9. DOCUMENT SCANNER



9. DOCUMENT SCANNER

REF No.	CODE	Q'TY	DESCRIPTION	MODEL	SPEC	REMARKS
1	LEM323002	1	DOCUMENT SCANNER UNIT (SP)	DCP-7080		
1	LEM323001	1	DOCUMENT SCANNER UNIT (SP)	DCP-7080D		
1	LEM318002	1	DOCUMENT SCANNER UNIT (SP)	DCP-7180DN		
1	LEM323001	1	DOCUMENT SCANNER UNIT (SP)	DCP-L2500D		
1	LEM323001	1	DOCUMENT SCANNER UNIT (SP)	DCP-L2500DR		
1	LEM323001	1	DOCUMENT SCANNER UNIT (SP)	DCP-L2520D		
1	LEM323002	1	DOCUMENT SCANNER UNIT (SP)	DCP-L2520DW		
1	LEM323002	1	DOCUMENT SCANNER UNIT (SP)	DCP-L2520DWR		
1	LEM318002	1	DOCUMENT SCANNER UNIT (SP)	DCP-L2540DN		
1	LEM318002	1	DOCUMENT SCANNER UNIT (SP)	DCP-L2540DNR		
1	LEM318002	1	DOCUMENT SCANNER UNIT (SP)	DCP-L2540DW		
1	LEM318002	1	DOCUMENT SCANNER UNIT (SP)	DCP-L2541DW		
1	LEM326003	1	DOCUMENT SCANNER UNIT (SP)	DCP-L2560DW		
1	LEM326003	1	DOCUMENT SCANNER UNIT (SP)	DCP-L2560DWR		
1	LEM326003	1	DOCUMENT SCANNER UNIT (SP)	HL-L2380DW		
1	LEM318001	1	DOCUMENT SCANNER UNIT (SP)	MFC-7380		
1	LEM318001	1	DOCUMENT SCANNER UNIT (SP)	MFC-7480D		
1	LEM318002	1	DOCUMENT SCANNER UNIT (SP)	MFC-7880DN		
1	LEM318001	1	DOCUMENT SCANNER UNIT (SP)	MFC-L2680W		
1	LEM318001	1	DOCUMENT SCANNER UNIT (SP)	MFC-L2700D		
1	LEM318001	1	DOCUMENT SCANNER UNIT (SP)	MFC-L2700DN		
1	LEM318001	1	DOCUMENT SCANNER UNIT (SP)	MFC-L2700DNR		
1	LEM318001	1	DOCUMENT SCANNER UNIT (SP)	MFC-L2700DW		
1	LEM318001	1	DOCUMENT SCANNER UNIT (SP)	MFC-L2700DWR		
1	LEM318001	1	DOCUMENT SCANNER UNIT (SP)	MFC-L2701D		
1	LEM318001	1	DOCUMENT SCANNER UNIT (SP)	MFC-L2701DW		
1	LEM318002	1	DOCUMENT SCANNER UNIT (SP)	MFC-L2703DW		
1	LEM318001	1	DOCUMENT SCANNER UNIT (SP)	MFC-L2705DW		
1	LEM324002	1	DOCUMENT SCANNER UNIT (SP)	MFC-L2720DW		
1	LEM324002	1	DOCUMENT SCANNER UNIT (SP)	MFC-L2720DWR		
1	LEM325002	1	DOCUMENT SCANNER UNIT (SP)	MFC-L2740DW		
1	LEM325002	1	DOCUMENT SCANNER UNIT (SP)	MFC-L2740DWR		
1-1	LT2868001	1	FIRST SIDE CIS UNIT			
1-2	LT2869001	1	FIRST SIDE CIS FLAT CABLE			
1-3	LEM159001	1	ADF CLEANING LABEL	DCP-7180DN		
1-3	LEM159001	1	ADF CLEANING LABEL	DCP-L2540DN		
1-3	LEM159001	1	ADF CLEANING LABEL	DCP-L2540DNR		
1-3	LEM159001	1	ADF CLEANING LABEL	DCP-L2540DW		
1-3	LEM159001	1	ADF CLEANING LABEL	DCP-L2541DW		
1-3	LEM159001	1	ADF CLEANING LABEL	MFC-7380		
1-3	LEM159001	1	ADF CLEANING LABEL	MFC-7480D		
1-3	LEM159001	1	ADF CLEANING LABEL	MFC-7880DN		
1-3	LEM159001	1	ADF CLEANING LABEL	MFC-L2680W		
1-3	LEM159001	1	ADF CLEANING LABEL	MFC-L2700D		
1-3	LEM159001	1	ADF CLEANING LABEL	MFC-L2700DN		
1-3	LEM159001	1	ADF CLEANING LABEL	MFC-L2700DNR		
1-3	LEM159001	1	ADF CLEANING LABEL	MFC-L2700DW		
1-3	LEM159001	1	ADF CLEANING LABEL	MFC-L2700DWR		
1-3	LEM159001	1	ADF CLEANING LABEL	MFC-L2701D		
1-3	LEM159001	1	ADF CLEANING LABEL	MFC-L2701DW		
1-3	LEM159001	1	ADF CLEANING LABEL	MFC-L2703DW		
1-3	LEM159001	1	ADF CLEANING LABEL	MFC-L2705DW		
1-3	LEM159001	1	ADF CLEANING LABEL	MFC-L2720DW		
1-3	LEM159001	1	ADF CLEANING LABEL	MFC-L2720DWR		
1-3	LEM162001	1	ADF CLEANING LABEL	MFC-L2740DW		
1-3	LEM162001	1	ADF CLEANING LABEL	MFC-L2740DWR		

10. ADF & DOCUMENT COVER ASSY



10. ADF & DOCUMENT COVER ASSY

REF No.	CODE	Q'TY	DESCRIPTION	MODEL	SPEC	REMARKS
1	LEV336003	1	ADF UNIT (SP)	DCP-7180DN		CHG
1	LEV336003	1	ADF UNIT (SP)	DCP-L2540DN		CHG
1	LEV336003	1	ADF UNIT (SP)	DCP-L2540DNR		CHG
1	LEV336003	1	ADF UNIT (SP)	DCP-L2540DW		CHG
1	LEV336003	1	ADF UNIT (SP)	DCP-L2541DW		CHG
1	LEV526001	1	ADF UNIT (SP)	MFC-7380		CHG
1	LEV526001	1	ADF UNIT (SP)	MFC-7480D		CHG
1	LEV526002	1	ADF UNIT (SP)	MFC-7880DN		CHG
1	LEV336001	1	ADF UNIT (SP)	MFC-L2680W		
1	LEV526001	1	ADF UNIT (SP)	MFC-L2700D		CHG
1	LEV336001	1	ADF UNIT (SP)	MFC-L2700DN		
1	LEV336001	1	ADF UNIT (SP)	MFC-L2700DNR		
1	LEV336001	1	ADF UNIT (SP)	MFC-L2700DW	FOR US/CAN/GER/UK/FRA/ARL/ BEL/NLD/CHE/ITA/ISR/CHL/POL/ BRZ/PND/IBR/PER/CEE	CHG
1	LEV526001	1	ADF UNIT (SP)	MFC-L2700DW	FOR PHL/TWN/SAF/NZ/IDN/THA/ KOR/MYS/UAE/MENA	CHG
1	LEV336001	1	ADF UNIT (SP)	MFC-L2700DWR		CHG
1	LEV526001	1	ADF UNIT (SP)	MFC-L2701D		CHG
1	LEV526001	1	ADF UNIT (SP)	MFC-L2701DW		CHG
1	LEV526002	1	ADF UNIT (SP)	MFC-L2703DW		CHG
1	LEV526001	1	ADF UNIT (SP)	MFC-L2705DW		CHG
1	LEV526002	1	ADF UNIT (SP)	MFC-L2720DW		CHG
1	LEV526002	1	ADF UNIT (SP)	MFC-L2720DWR		CHG
1	LEV341001	1	ADF UNIT (SP)	MFC-L2740DW		CHG
1	LEV341001	1	ADF UNIT (SP)	MFC-L2740DWR		CHG
1-1	LEM018003	1	DOCUMENT COVER ASSY	DCP-7180DN		
1-1	LEM018003	1	DOCUMENT COVER ASSY	DCP-L2540DN		
1-1	LEM018003	1	DOCUMENT COVER ASSY	DCP-L2540DNR		
1-1	LEM018003	1	DOCUMENT COVER ASSY	DCP-L2540DW		
1-1	LEM018003	1	DOCUMENT COVER ASSY	DCP-L2541DW		
1-1	LEV415001	1	DOCUMENT COVER ASSY	MFC-7380		
1-1	LEV415001	1	DOCUMENT COVER ASSY	MFC-7480D		
1-1	LEV415002	1	DOCUMENT COVER ASSY	MFC-7880DN		
1-1	LEM018001	1	DOCUMENT COVER ASSY	MFC-L2680W		
1-1	LEV415001	1	DOCUMENT COVER ASSY	MFC-L2700D		chg
1-1	LEM018001	1	DOCUMENT COVER ASSY	MFC-L2700DN		
1-1	LEM018001	1	DOCUMENT COVER ASSY	MFC-L2700DNR		
1-1	LEM018001	1	DOCUMENT COVER ASSY	MFC-L2700DW	FOR US/CAN/GER/UK/FRA/ARL/ BEL/NLD/CHE/ITA/ISR/CHL/POL/ BRZ/PND/IBR/PER/CEE	
1-1	LEV415001	1	DOCUMENT COVER ASSY	MFC-L2700DW	FOR PHL/TWN/SAF/NZ/IDN/THA/ KOR/MYS/UAE/MENA	chg
1-1	LEM018001	1	DOCUMENT COVER ASSY	MFC-L2700DWR		chg
1-1	LEV415001	1	DOCUMENT COVER ASSY	MFC-L2701D		chg
1-1	LEV415001	1	DOCUMENT COVER ASSY	MFC-L2701DW		chg
1-1	LEV415002	1	DOCUMENT COVER ASSY	MFC-L2703DW		chg
1-1	LEV415001	1	DOCUMENT COVER ASSY	MFC-L2705DW		
1-1	LEV415002	1	DOCUMENT COVER ASSY	MFC-L2720DW		chg
1-1	LEV415002	1	DOCUMENT COVER ASSY	MFC-L2720DWR		chg
1-1	LEM018003	1	DOCUMENT COVER ASSY	MFC-L2740DW		chg
1-1	LEM018003	1	DOCUMENT COVER ASSY	MFC-L2740DWR		chg
1-1-1	LEM020002	1	ADF DOCUMENT OUTPUT SUPPORT FLAP	DCP-7180DN		
1-1-1	LEM020002	1	ADF DOCUMENT OUTPUT SUPPORT FLAP	DCP-L2540DN		
1-1-1	LEM020002	1	ADF DOCUMENT OUTPUT SUPPORT FLAP	DCP-L2540DNR		
1-1-1	LEM020002	1	ADF DOCUMENT OUTPUT SUPPORT FLAP	DCP-L2540DW		
1-1-1	LEM020002	1	ADF DOCUMENT OUTPUT SUPPORT FLAP	DCP-L2541DW		
1-1-1	LEM020001	1	ADF DOCUMENT OUTPUT SUPPORT FLAP	MFC-7380		
1-1-1	LEM020001	1	ADF DOCUMENT OUTPUT SUPPORT FLAP	MFC-7480D		
1-1-1	LEM020002	1	ADF DOCUMENT OUTPUT SUPPORT FLAP	MFC-7880DN		
1-1-1	LEM020001	1	ADF DOCUMENT OUTPUT SUPPORT FLAP	MFC-L2680W		

10. ADF & DOCUMENT COVER ASSY

REF No.	CODE	Q'TY	DESCRIPTION	MODEL	SPEC	REMARKS
1-1-1	LEM020001	1	ADF DOCUMENT OUTPUT SUPPORT FLAP	MFC-L2700D		
1-1-1	LEM020001	1	ADF DOCUMENT OUTPUT SUPPORT FLAP	MFC-L2700DN		
1-1-1	LEM020001	1	ADF DOCUMENT OUTPUT SUPPORT FLAP	MFC-L2700DNR		
1-1-1	LEM020001	1	ADF DOCUMENT OUTPUT SUPPORT FLAP	MFC-L2700DW		
1-1-1	LEM020001	1	ADF DOCUMENT OUTPUT SUPPORT FLAP	MFC-L2700DWR		
1-1-1	LEM020001	1	ADF DOCUMENT OUTPUT SUPPORT FLAP	MFC-L2701D		
1-1-1	LEM020001	1	ADF DOCUMENT OUTPUT SUPPORT FLAP	MFC-L2701DW		
1-1-1	LEM020002	1	ADF DOCUMENT OUTPUT SUPPORT FLAP	MFC-L2703DW		
1-1-1	LEM020001	1	ADF DOCUMENT OUTPUT SUPPORT FLAP	MFC-L2705DW		
1-1-1	LEM020002	1	ADF DOCUMENT OUTPUT SUPPORT FLAP	MFC-L2720DW		
1-1-1	LEM020002	1	ADF DOCUMENT OUTPUT SUPPORT FLAP	MFC-L2720DWR		
1-1-1	LEM020002	1	ADF DOCUMENT OUTPUT SUPPORT FLAP	MFC-L2740DW		
1-1-1	LEM020002	1	ADF DOCUMENT OUTPUT SUPPORT FLAP	MFC-L2740DWR		
1-1-2	LS8141005	1	HINGE ARM R	DCP-7180DN		
1-1-2	LS8141005	1	HINGE ARM R	DCP-L2540DN		
1-1-2	LS8141005	1	HINGE ARM R	DCP-L2540DNR		
1-1-2	LS8141005	1	HINGE ARM R	DCP-L2540DW		
1-1-2	LS8141005	1	HINGE ARM R	DCP-L2541DW		
1-1-2	LS8141005	1	HINGE ARM R	MFC-7380		
1-1-2	LS8141005	1	HINGE ARM R	MFC-7480D		
1-1-2	LS8141005	1	HINGE ARM R	MFC-7880DN		
1-1-2	LS8141005	1	HINGE ARM R	MFC-L2680W		
1-1-2	LS8141005	1	HINGE ARM R	MFC-L2700D		
1-1-2	LS8141005	1	HINGE ARM R	MFC-L2700DN		
1-1-2	LS8141005	1	HINGE ARM R	MFC-L2700DNR		
1-1-2	LS8141005	1	HINGE ARM R	MFC-L2700DW		
1-1-2	LS8141005	1	HINGE ARM R	MFC-L2700DWR		
1-1-2	LS8141005	1	HINGE ARM R	MFC-L2701D		
1-1-2	LS8141005	1	HINGE ARM R	MFC-L2701DW		
1-1-2	LS8141005	1	HINGE ARM R	MFC-L2703DW		
1-1-2	LS8141005	1	HINGE ARM R	MFC-L2705DW		
1-1-2	LS8141005	1	HINGE ARM R	MFC-L2720DW		
1-1-2	LS8141005	1	HINGE ARM R	MFC-L2720DWR		
1-1-2	LS8141005	1	HINGE ARM R	MFC-L2740DW		
1-1-2	LS8141005	1	HINGE ARM R	MFC-L2740DWR		
1-2	LEM202001	1	ADF MOTOR	DCP-7180DN		
1-2	LEM202001	1	ADF MOTOR	DCP-L2540DN		
1-2	LEM202001	1	ADF MOTOR	DCP-L2540DNR		
1-2	LEM202001	1	ADF MOTOR	DCP-L2540DW		
1-2	LEM202001	1	ADF MOTOR	DCP-L2541DW		
1-2	LEM202001	1	ADF MOTOR	MFC-7380		
1-2	LEM202001	1	ADF MOTOR	MFC-7480D		
1-2	LEM202001	1	ADF MOTOR	MFC-7880DN		
1-2	LEM202001	1	ADF MOTOR	MFC-L2680W		
1-2	LEM202001	1	ADF MOTOR	MFC-L2700D		
1-2	LEM202001	1	ADF MOTOR	MFC-L2700DN		
1-2	LEM202001	1	ADF MOTOR	MFC-L2700DNR		
1-2	LEM202001	1	ADF MOTOR	MFC-L2700DW		
1-2	LEM202001	1	ADF MOTOR	MFC-L2700DWR		
1-2	LEM202001	1	ADF MOTOR	MFC-L2701D		
1-2	LEM202001	1	ADF MOTOR	MFC-L2701DW		
1-2	LEM202001	1	ADF MOTOR	MFC-L2703DW		
1-2	LEM202001	1	ADF MOTOR	MFC-L2705DW		
1-2	LEM202001	1	ADF MOTOR	MFC-L2720DW		
1-2	LEM202001	1	ADF MOTOR	MFC-L2720DWR		
1-2	LEM202001	1	ADF MOTOR	MFC-L2740DW		
1-2	LEM202001	1	ADF MOTOR	MFC-L2740DWR		
1-3	LG6753001	1	FIRST SIDE DOCUMENT SCANNING POSITION SENSOR PCB ASSY	DCP-7180DN		

10. ADF & DOCUMENT COVER ASSY

REF No.	CODE	Q'TY	DESCRIPTION	MODEL	SPEC	REMARKS
1-3	LG6753001	1	FIRST SIDE DOCUMENT SCANNING POSITION SENSOR PCB ASSY	DCP-L2540DN		
1-3	LG6753001	1	FIRST SIDE DOCUMENT SCANNING POSITION SENSOR PCB ASSY	DCP-L2540DNR		
1-3	LG6753001	1	FIRST SIDE DOCUMENT SCANNING POSITION SENSOR PCB ASSY	DCP-L2540DW		
1-3	LG6753001	1	FIRST SIDE DOCUMENT SCANNING POSITION SENSOR PCB ASSY	DCP-L2541DW		
1-3	LG6753001	1	FIRST SIDE DOCUMENT SCANNING POSITION SENSOR PCB ASSY	MFC-7380		
1-3	LG6753001	1	FIRST SIDE DOCUMENT SCANNING POSITION SENSOR PCB ASSY	MFC-7480D		
1-3	LG6753001	1	FIRST SIDE DOCUMENT SCANNING POSITION SENSOR PCB ASSY	MFC-7880DN		
1-3	LG6753001	1	FIRST SIDE DOCUMENT SCANNING POSITION SENSOR PCB ASSY	MFC-L2680W		
1-3	LG6753001	1	FIRST SIDE DOCUMENT SCANNING POSITION SENSOR PCB ASSY	MFC-L2700D		
1-3	LG6753001	1	FIRST SIDE DOCUMENT SCANNING POSITION SENSOR PCB ASSY	MFC-L2700DN		
1-3	LG6753001	1	FIRST SIDE DOCUMENT SCANNING POSITION SENSOR PCB ASSY	MFC-L2700DNR		
1-3	LG6753001	1	FIRST SIDE DOCUMENT SCANNING POSITION SENSOR PCB ASSY	MFC-L2700DW		
1-3	LG6753001	1	FIRST SIDE DOCUMENT SCANNING POSITION SENSOR PCB ASSY	MFC-L2700DWR		
1-3	LG6753001	1	FIRST SIDE DOCUMENT SCANNING POSITION SENSOR PCB ASSY	MFC-L2701D		
1-3	LG6753001	1	FIRST SIDE DOCUMENT SCANNING POSITION SENSOR PCB ASSY	MFC-L2701DW		
1-3	LG6753001	1	FIRST SIDE DOCUMENT SCANNING POSITION SENSOR PCB ASSY	MFC-L2703DW		
1-3	LG6753001	1	FIRST SIDE DOCUMENT SCANNING POSITION SENSOR PCB ASSY	MFC-L2705DW		
1-3	LG6753001	1	FIRST SIDE DOCUMENT SCANNING POSITION SENSOR PCB ASSY	MFC-L2720DW		
1-3	LG6753001	1	FIRST SIDE DOCUMENT SCANNING POSITION SENSOR PCB ASSY	MFC-L2720DWR		
1-3	LG6753001	1	FIRST SIDE DOCUMENT SCANNING POSITION SENSOR PCB ASSY	MFC-L2740DW		
1-3	LG6753001	1	FIRST SIDE DOCUMENT SCANNING POSITION SENSOR PCB ASSY	MFC-L2740DWR		
1-4	LG6753001	1	SECOND SIDE DOCUMENT SCANNING POSITION SENSOR PCB	MFC-L2740DW		
1-4	LG6753001	1	SECOND SIDE DOCUMENT SCANNING POSITION SENSOR PCB	MFC-L2740DWR		
1-5	LT1120001	1	ADF COVER/DOCUMENT DETECTION SENSOR PCB ASSY	DCP-7180DN		
1-5	LT1120001	1	ADF COVER/DOCUMENT DETECTION SENSOR PCB ASSY	DCP-L2540DN		
1-5	LT1120001	1	ADF COVER/DOCUMENT DETECTION SENSOR PCB ASSY	DCP-L2540DNR		
1-5	LT1120001	1	ADF COVER/DOCUMENT DETECTION SENSOR PCB ASSY	DCP-L2540DW		
1-5	LT1120001	1	ADF COVER/DOCUMENT DETECTION SENSOR PCB ASSY	DCP-L2541DW		
1-5	LT1120001	1	ADF COVER/DOCUMENT DETECTION SENSOR PCB ASSY	MFC-7380		
1-5	LT1120001	1	ADF COVER/DOCUMENT DETECTION SENSOR PCB ASSY	MFC-7480D		
1-5	LT1120001	1	ADF COVER/DOCUMENT DETECTION SENSOR PCB ASSY	MFC-7880DN		
1-5	LT1120001	1	ADF COVER/DOCUMENT DETECTION SENSOR PCB ASSY	MFC-L2680W		
1-5	LT1120001	1	ADF COVER/DOCUMENT DETECTION SENSOR PCB ASSY	MFC-L2700D		
1-5	LT1120001	1	ADF COVER/DOCUMENT DETECTION SENSOR PCB ASSY	MFC-L2700DN		
1-5	LT1120001	1	ADF COVER/DOCUMENT DETECTION SENSOR PCB ASSY	MFC-L2700DNR		

10. ADF & DOCUMENT COVER ASSY

REF No.	CODE	Q'TY	DESCRIPTION	MODEL	SPEC	REMARKS
1-5	LT1120001	1	ADF COVER/DOCUMENT DETECTION SENSOR PCB ASSY	MFC-L2700DW		
1-5	LT1120001	1	ADF COVER/DOCUMENT DETECTION SENSOR PCB ASSY	MFC-L2700DWR		
1-5	LT1120001	1	ADF COVER/DOCUMENT DETECTION SENSOR PCB ASSY	MFC-L2701D		
1-5	LT1120001	1	ADF COVER/DOCUMENT DETECTION SENSOR PCB ASSY	MFC-L2701DW		
1-5	LT1120001	1	ADF COVER/DOCUMENT DETECTION SENSOR PCB ASSY	MFC-L2703DW		
1-5	LT1120001	1	ADF COVER/DOCUMENT DETECTION SENSOR PCB ASSY	MFC-L2705DW		
1-5	LT1120001	1	ADF COVER/DOCUMENT DETECTION SENSOR PCB ASSY	MFC-L2720DW		
1-5	LT1120001	1	ADF COVER/DOCUMENT DETECTION SENSOR PCB ASSY	MFC-L2720DWR		
1-5	LT1120001	1	ADF COVER/DOCUMENT DETECTION SENSOR PCB ASSY	MFC-L2740DW		
1-5	LT1120001	1	ADF COVER/DOCUMENT DETECTION SENSOR PCB ASSY	MFC-L2740DWR		
1-6	LX8675001	1	DOCUMENT FEED ROLLER ASSY 1	DCP-7180DN		
1-6	LX8675001	1	DOCUMENT FEED ROLLER ASSY 1	DCP-L2540DN		
1-6	LX8675001	1	DOCUMENT FEED ROLLER ASSY 1	DCP-L2540DNR		
1-6	LX8675001	1	DOCUMENT FEED ROLLER ASSY 1	DCP-L2540DW		
1-6	LX8675001	1	DOCUMENT FEED ROLLER ASSY 1	DCP-L2541DW		
1-6	LX8675001	1	DOCUMENT FEED ROLLER ASSY 1	MFC-7380		
1-6	LX8675001	1	DOCUMENT FEED ROLLER ASSY 1	MFC-7480D		
1-6	LX8675001	1	DOCUMENT FEED ROLLER ASSY 1	MFC-7880DN		
1-6	LX8675001	1	DOCUMENT FEED ROLLER ASSY 1	MFC-L2680W		
1-6	LX8675001	1	DOCUMENT FEED ROLLER ASSY 1	MFC-L2700D		
1-6	LX8675001	1	DOCUMENT FEED ROLLER ASSY 1	MFC-L2700DN		
1-6	LX8675001	1	DOCUMENT FEED ROLLER ASSY 1	MFC-L2700DNR		
1-6	LX8675001	1	DOCUMENT FEED ROLLER ASSY 1	MFC-L2700DW		
1-6	LX8675001	1	DOCUMENT FEED ROLLER ASSY 1	MFC-L2700DWR		
1-6	LX8675001	1	DOCUMENT FEED ROLLER ASSY 1	MFC-L2701D		
1-6	LX8675001	1	DOCUMENT FEED ROLLER ASSY 1	MFC-L2701DW		
1-6	LX8675001	1	DOCUMENT FEED ROLLER ASSY 1	MFC-L2703DW		
1-6	LX8675001	1	DOCUMENT FEED ROLLER ASSY 1	MFC-L2705DW		
1-6	LX8675001	1	DOCUMENT FEED ROLLER ASSY 1	MFC-L2720DW		
1-6	LX8675001	1	DOCUMENT FEED ROLLER ASSY 1	MFC-L2720DWR		
1-6	LX8675001	1	DOCUMENT FEED ROLLER ASSY 1	MFC-L2740DW		
1-6	LX8675001	1	DOCUMENT FEED ROLLER ASSY 1	MFC-L2740DWR		
1-7	LX9751001	1	ADF SEPARATION PAD HOLDER ASSY	DCP-7180DN		
1-7	LX9751001	1	ADF SEPARATION PAD HOLDER ASSY	DCP-L2540DN		
1-7	LX9751001	1	ADF SEPARATION PAD HOLDER ASSY	DCP-L2540DNR		
1-7	LX9751001	1	ADF SEPARATION PAD HOLDER ASSY	DCP-L2540DW		
1-7	LX9751001	1	ADF SEPARATION PAD HOLDER ASSY	DCP-L2541DW		
1-7	LX9751001	1	ADF SEPARATION PAD HOLDER ASSY	MFC-7380		
1-7	LX9751001	1	ADF SEPARATION PAD HOLDER ASSY	MFC-7480D		
1-7	LX9751001	1	ADF SEPARATION PAD HOLDER ASSY	MFC-7880DN		
1-7	LX9751001	1	ADF SEPARATION PAD HOLDER ASSY	MFC-L2680W		
1-7	LX9751001	1	ADF SEPARATION PAD HOLDER ASSY	MFC-L2700D		
1-7	LX9751001	1	ADF SEPARATION PAD HOLDER ASSY	MFC-L2700DN		
1-7	LX9751001	1	ADF SEPARATION PAD HOLDER ASSY	MFC-L2700DNR		
1-7	LX9751001	1	ADF SEPARATION PAD HOLDER ASSY	MFC-L2700DW		
1-7	LX9751001	1	ADF SEPARATION PAD HOLDER ASSY	MFC-L2700DWR		

10. ADF & DOCUMENT COVER ASSY

REF No.	CODE	Q'TY	DESCRIPTION	MODEL	SPEC	REMARKS
1-7	LX9751001	1	ADF SEPARATION PAD HOLDER ASSY	MFC-L2701D		
1-7	LX9751001	1	ADF SEPARATION PAD HOLDER ASSY	MFC-L2701DW		
1-7	LX9751001	1	ADF SEPARATION PAD HOLDER ASSY	MFC-L2703DW		
1-7	LX9751001	1	ADF SEPARATION PAD HOLDER ASSY	MFC-L2705DW		
1-7	LX9751001	1	ADF SEPARATION PAD HOLDER ASSY	MFC-L2720DW		
1-7	LX9751001	1	ADF SEPARATION PAD HOLDER ASSY	MFC-L2720DWR		
1-7	LX9751001	1	ADF SEPARATION PAD HOLDER ASSY	MFC-L2740DW		
1-7	LX9751001	1	ADF SEPARATION PAD HOLDER ASSY	MFC-L2740DWR		
1-8	LX9296001	1	DOCUMENT SEPARATE ROLLER ASSY	DCP-7180DN		
1-8	LX9296001	1	DOCUMENT SEPARATE ROLLER ASSY	DCP-L2540DN		
1-8	LX9296001	1	DOCUMENT SEPARATE ROLLER ASSY	DCP-L2540DNR		
1-8	LX9296001	1	DOCUMENT SEPARATE ROLLER ASSY	DCP-L2540DW		
1-8	LX9296001	1	DOCUMENT SEPARATE ROLLER ASSY	DCP-L2541DW		
1-8	LX9296001	1	DOCUMENT SEPARATE ROLLER ASSY	MFC-7380		
1-8	LX9296001	1	DOCUMENT SEPARATE ROLLER ASSY	MFC-7480D		
1-8	LX9296001	1	DOCUMENT SEPARATE ROLLER ASSY	MFC-7880DN		
1-8	LX9296001	1	DOCUMENT SEPARATE ROLLER ASSY	MFC-L2680W		
1-8	LX9296001	1	DOCUMENT SEPARATE ROLLER ASSY	MFC-L2700D		
1-8	LX9296001	1	DOCUMENT SEPARATE ROLLER ASSY	MFC-L2700DN		
1-8	LX9296001	1	DOCUMENT SEPARATE ROLLER ASSY	MFC-L2700DNR		
1-8	LX9296001	1	DOCUMENT SEPARATE ROLLER ASSY	MFC-L2700DW		
1-8	LX9296001	1	DOCUMENT SEPARATE ROLLER ASSY	MFC-L2700DWR		
1-8	LX9296001	1	DOCUMENT SEPARATE ROLLER ASSY	MFC-L2701D		
1-8	LX9296001	1	DOCUMENT SEPARATE ROLLER ASSY	MFC-L2701DW		
1-8	LX9296001	1	DOCUMENT SEPARATE ROLLER ASSY	MFC-L2703DW		
1-8	LX9296001	1	DOCUMENT SEPARATE ROLLER ASSY	MFC-L2705DW		
1-8	LX9296001	1	DOCUMENT SEPARATE ROLLER ASSY	MFC-L2720DW		
1-8	LX9296001	1	DOCUMENT SEPARATE ROLLER ASSY	MFC-L2720DWR		
1-8	LX9297001	1	DOCUMENT SEPARATE ROLLER ASSY	MFC-L2740DW		
1-8	LX9297001	1	DOCUMENT SEPARATE ROLLER ASSY	MFC-L2740DWR		
1-9	LEM026002	1	GEAR COVER	DCP-7180DN		
1-9	LEM026002	1	GEAR COVER	DCP-L2540DN		
1-9	LEM026002	1	GEAR COVER	DCP-L2540DNR		
1-9	LEM026002	1	GEAR COVER	DCP-L2540DW		
1-9	LEM026002	1	GEAR COVER	DCP-L2541DW		
1-9	LEM026001	1	GEAR COVER	MFC-7380		
1-9	LEM026001	1	GEAR COVER	MFC-7480D		
1-9	LEM026002	1	GEAR COVER	MFC-7880DN		
1-9	LEM026001	1	GEAR COVER	MFC-L2680W		
1-9	LEM026001	1	GEAR COVER	MFC-L2700D		
1-9	LEM026001	1	GEAR COVER	MFC-L2700DN		

10. ADF & DOCUMENT COVER ASSY

REF No.	CODE	Q'TY	DESCRIPTION	MODEL	SPEC	REMARKS
1-9	LEM026001	1	GEAR COVER	MFC-L2700DNR		
1-9	LEM026001	1	GEAR COVER	MFC-L2700DW		
1-9	LEM026001	1	GEAR COVER	MFC-L2700DWR		
1-9	LEM026001	1	GEAR COVER	MFC-L2701D		
1-9	LEM026001	1	GEAR COVER	MFC-L2701DW		
1-9	LEM026002	1	GEAR COVER	MFC-L2703DW		
1-9	LEM026001	1	GEAR COVER	MFC-L2705DW		
1-9	LEM026002	1	GEAR COVER	MFC-L2720DW		
1-9	LEM026002	1	GEAR COVER	MFC-L2720DWR		
1-9	LEM026002	1	GEAR COVER	MFC-L2740DW		
1-9	LEM026002	1	GEAR COVER	MFC-L2740DWR		
1-10	LEM033002	1	ADF COVER ASSY	DCP-7180DN		
1-10	LEM033002	1	ADF COVER ASSY	DCP-L2540DN		
1-10	LEM033002	1	ADF COVER ASSY	DCP-L2540DNR		
1-10	LEM033002	1	ADF COVER ASSY	DCP-L2540DW		
1-10	LEM033002	1	ADF COVER ASSY	DCP-L2541DW		
1-10	LEM033001	1	ADF COVER ASSY	MFC-7380		
1-10	LEM033001	1	ADF COVER ASSY	MFC-7480D		
1-10	LEM033002	1	ADF COVER ASSY	MFC-7880DN		
1-10	LEM033001	1	ADF COVER ASSY	MFC-L2680W		
1-10	LEM033001	1	ADF COVER ASSY	MFC-L2700D		
1-10	LEM033001	1	ADF COVER ASSY	MFC-L2700DN		
1-10	LEM033001	1	ADF COVER ASSY	MFC-L2700DNR		
1-10	LEM033001	1	ADF COVER ASSY	MFC-L2700DW		
1-10	LEM033001	1	ADF COVER ASSY	MFC-L2700DWR		
1-10	LEM033001	1	ADF COVER ASSY	MFC-L2701D		
1-10	LEM033001	1	ADF COVER ASSY	MFC-L2701DW		
1-10	LEM033002	1	ADF COVER ASSY	MFC-L2703DW		
1-10	LEM033001	1	ADF COVER ASSY	MFC-L2705DW		
1-10	LEM033002	1	ADF COVER ASSY	MFC-L2720DW		
1-10	LEM033002	1	ADF COVER ASSY	MFC-L2720DWR		
1-10	LEM027002	1	ADF COVER ASSY	MFC-L2740DW		
1-10	LEM027002	1	ADF COVER ASSY	MFC-L2740DWR		
1-11	LEM029003	1	ADF DOCUMENT SUPPORT	DCP-7180DN		
1-11	LEM029003	1	ADF DOCUMENT SUPPORT	DCP-L2540DN		
1-11	LEM029003	1	ADF DOCUMENT SUPPORT	DCP-L2540DNR		
1-11	LEM029003	1	ADF DOCUMENT SUPPORT	DCP-L2540DW		
1-11	LEM029003	1	ADF DOCUMENT SUPPORT	DCP-L2541DW		
1-11	LEM029001	1	ADF DOCUMENT SUPPORT	MFC-7380		
1-11	LEM029001	1	ADF DOCUMENT SUPPORT	MFC-7480D		
1-11	LEM029012	1	ADF DOCUMENT SUPPORT	MFC-7880DN		
1-11	LEM029001	1	ADF DOCUMENT SUPPORT	MFC-L2680W		
1-11	LEM029001	1	ADF DOCUMENT SUPPORT	MFC-L2700D		
1-11	LEM029001	1	ADF DOCUMENT SUPPORT	MFC-L2700DN		
1-11	LEM029001	1	ADF DOCUMENT SUPPORT	MFC-L2700DNR		
1-11	LEM029001	1	ADF DOCUMENT SUPPORT	MFC-L2700DW		
1-11	LEM029001	1	ADF DOCUMENT SUPPORT	MFC-L2700DWR		
1-11	LEM029001	1	ADF DOCUMENT SUPPORT	MFC-L2701D		
1-11	LEM029001	1	ADF DOCUMENT SUPPORT	MFC-L2701DW		
1-11	LEM029012	1	ADF DOCUMENT SUPPORT	MFC-L2703DW		chg
1-11	LEM029001	1	ADF DOCUMENT SUPPORT	MFC-L2705DW		
1-11	LEM029012	1	ADF DOCUMENT SUPPORT	MFC-L2720DW		chg
1-11	LEM029012	1	ADF DOCUMENT SUPPORT	MFC-L2720DWR		chg
1-11	LEM029003	1	ADF DOCUMENT SUPPORT	MFC-L2740DW		
1-11	LEM029003	1	ADF DOCUMENT SUPPORT	MFC-L2740DWR		
1-12	LT2868001	1	SECOND SIDE CIS UNIT	MFC-L2740DW		
1-12	LT2868001	1	SECOND SIDE CIS UNIT	MFC-L2740DWR		
1-13	LT2888001	1	SECOND SIDE CIS FLAT CABLE	MFC-L2740DW		
1-13	LT2888001	1	SECOND SIDE CIS FLAT CABLE	MFC-L2740DWR		
1-14	LX9030001	2	CIS SPACER	MFC-L2740DW		
1-14	LX9030001	2	CIS SPACER	MFC-L2740DWR		
2	LX4126005	1	HINGE ASSY L	DCP-7180DN		
2	LX4126005	1	HINGE ASSY L	DCP-L2540DN		
2	LX4126005	1	HINGE ASSY L	DCP-L2540DNR		
2	LX4126005	1	HINGE ASSY L	DCP-L2540DW		
2	LX4126005	1	HINGE ASSY L	DCP-L2541DW		
2	LX4126005	1	HINGE ASSY L	MFC-7380		
2	LX4126005	1	HINGE ASSY L	MFC-7480D		
2	LX4126005	1	HINGE ASSY L	MFC-7880DN		
2	LX4126005	1	HINGE ASSY L	MFC-L2680W		
2	LX4126005	1	HINGE ASSY L	MFC-L2700D		
2	LX4126005	1	HINGE ASSY L	MFC-L2700DN		

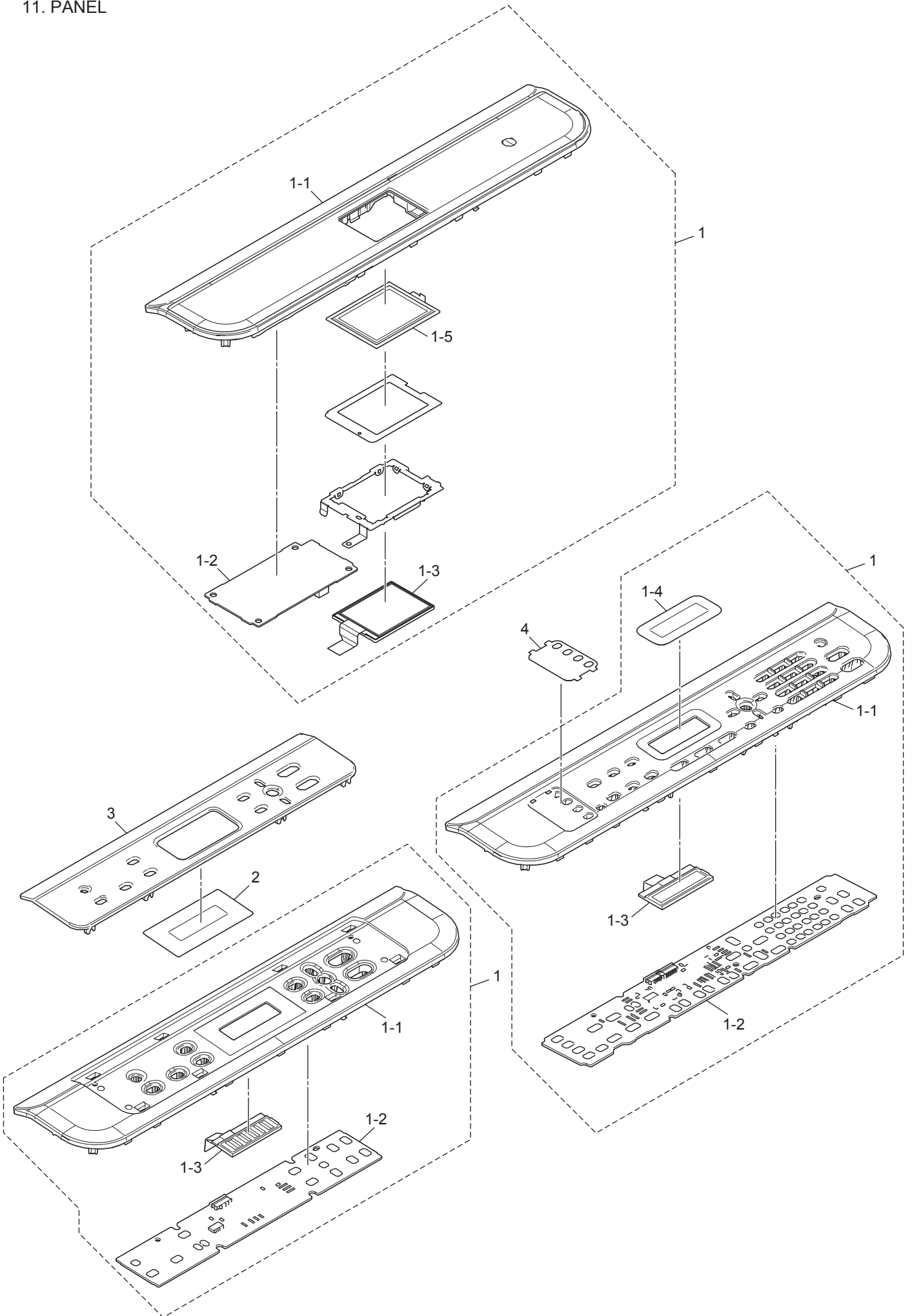
10. ADF & DOCUMENT COVER ASSY

REF No.	CODE	Q'TY	DESCRIPTION	MODEL	SPEC	REMARKS
2	LX4126005	1	HINGE ASSY L	MFC-L2700DNR		
2	LX4126005	1	HINGE ASSY L	MFC-L2700DW		
2	LX4126005	1	HINGE ASSY L	MFC-L2700DWR		
2	LX4126005	1	HINGE ASSY L	MFC-L2701D		
2	LX4126005	1	HINGE ASSY L	MFC-L2701DW		
2	LX4126005	1	HINGE ASSY L	MFC-L2703DW		
2	LX4126005	1	HINGE ASSY L	MFC-L2705DW		
2	LX4126005	1	HINGE ASSY L	MFC-L2720DW		
2	LX4126005	1	HINGE ASSY L	MFC-L2720DWR		
2	LEM222001	1	HINGE ASSY L	MFC-L2740DW		
2	LEM222001	1	HINGE ASSY L	MFC-L2740DWR		
3	LX5180005	1	HINGE R	DCP-7180DN		
3	LX5180005	1	HINGE R	DCP-L2540DN		
3	LX5180005	1	HINGE R	DCP-L2540DNR		
3	LX5180005	1	HINGE R	DCP-L2540DW		
3	LX5180005	1	HINGE R	DCP-L2541DW		
3	LX5180005	1	HINGE R	MFC-7380		
3	LX5180005	1	HINGE R	MFC-7480D		
3	LX5180005	1	HINGE R	MFC-7880DN		
3	LX5180005	1	HINGE R	MFC-L2680W		
3	LX5180005	1	HINGE R	MFC-L2700D		
3	LX5180005	1	HINGE R	MFC-L2700DN		
3	LX5180005	1	HINGE R	MFC-L2700DNR		
3	LX5180005	1	HINGE R	MFC-L2700DW		
3	LX5180005	1	HINGE R	MFC-L2700DWR		
3	LX5180005	1	HINGE R	MFC-L2701D		
3	LX5180005	1	HINGE R	MFC-L2701DW		
3	LX5180005	1	HINGE R	MFC-L2703DW		
3	LX5180005	1	HINGE R	MFC-L2705DW		
3	LX5180005	1	HINGE R	MFC-L2720DW		
3	LX5180005	1	HINGE R	MFC-L2720DWR		
3	LX5180005	1	HINGE R	MFC-L2740DW		
3	LX5180005	1	HINGE R	MFC-L2740DWR		
4	LS8155005	1	HINGE R SUPPORT	DCP-7180DN		
4	LS8155005	1	HINGE R SUPPORT	DCP-L2540DN		
4	LS8155005	1	HINGE R SUPPORT	DCP-L2540DNR		
4	LS8155005	1	HINGE R SUPPORT	DCP-L2540DW		
4	LS8155005	1	HINGE R SUPPORT	DCP-L2541DW		
4	LS8155005	1	HINGE R SUPPORT	MFC-7380		
4	LS8155005	1	HINGE R SUPPORT	MFC-7480D		
4	LS8155005	1	HINGE R SUPPORT	MFC-7880DN		
4	LS8155005	1	HINGE R SUPPORT	MFC-L2680W		
4	LS8155005	1	HINGE R SUPPORT	MFC-L2700D		
4	LS8155005	1	HINGE R SUPPORT	MFC-L2700DN		
4	LS8155005	1	HINGE R SUPPORT	MFC-L2700DNR		
4	LS8155005	1	HINGE R SUPPORT	MFC-L2700DW		
4	LS8155005	1	HINGE R SUPPORT	MFC-L2700DWR		
4	LS8155005	1	HINGE R SUPPORT	MFC-L2701D		
4	LS8155005	1	HINGE R SUPPORT	MFC-L2701DW		
4	LS8155005	1	HINGE R SUPPORT	MFC-L2703DW		
4	LS8155005	1	HINGE R SUPPORT	MFC-L2705DW		
4	LS8155005	1	HINGE R SUPPORT	MFC-L2720DW		
4	LS8155005	1	HINGE R SUPPORT	MFC-L2720DWR		
4	LS8155005	1	HINGE R SUPPORT	MFC-L2740DW		
4	LS8155005	1	HINGE R SUPPORT	MFC-L2740DWR		
5	LX9717006	1	FFC HOLDER ASSY (SP)	DCP-7180DN		
5	LX9717006	1	FFC HOLDER ASSY (SP)	DCP-L2540DN		
5	LX9717006	1	FFC HOLDER ASSY (SP)	DCP-L2540DNR		
5	LX9717006	1	FFC HOLDER ASSY (SP)	DCP-L2540DW		
5	LX9717006	1	FFC HOLDER ASSY (SP)	DCP-L2541DW		
5	LX9717006	1	FFC HOLDER ASSY (SP)	MFC-7380		
5	LX9717006	1	FFC HOLDER ASSY (SP)	MFC-7480D		
5	LX9717006	1	FFC HOLDER ASSY (SP)	MFC-7880DN		
5	LX9717006	1	FFC HOLDER ASSY (SP)	MFC-L2680W		
5	LX9717006	1	FFC HOLDER ASSY (SP)	MFC-L2700D		
5	LX9717006	1	FFC HOLDER ASSY (SP)	MFC-L2700DN		
5	LX9717006	1	FFC HOLDER ASSY (SP)	MFC-L2700DNR		
5	LX9717006	1	FFC HOLDER ASSY (SP)	MFC-L2700DW		
5	LX9717006	1	FFC HOLDER ASSY (SP)	MFC-L2700DWR		
5	LX9717006	1	FFC HOLDER ASSY (SP)	MFC-L2701D		
5	LX9717006	1	FFC HOLDER ASSY (SP)	MFC-L2701DW		
5	LX9717006	1	FFC HOLDER ASSY (SP)	MFC-L2703DW		

10. ADF & DOCUMENT COVER ASSY

REF No.	CODE	Q'TY	DESCRIPTION	MODEL	SPEC	REMARKS
5	LX9717006	1	FFC HOLDER ASSY (SP)	MFC-L2705DW		
5	LX9717006	1	FFC HOLDER ASSY (SP)	MFC-L2720DW		
5	LX9717006	1	FFC HOLDER ASSY (SP)	MFC-L2720DWR		
5	LX9717006	1	FFC HOLDER ASSY (SP)	MFC-L2740DW		
5	LX9717006	1	FFC HOLDER ASSY (SP)	MFC-L2740DWR		
6	LEV276001	1	DOCUMENT COVER ASSY (SP)	DCP-7080		
6	LEV276001	1	DOCUMENT COVER ASSY (SP)	DCP-7080D		
6	LEV276001	1	DOCUMENT COVER ASSY (SP)	DCP-L2500D		chg
6	LEV276001	1	DOCUMENT COVER ASSY (SP)	DCP-L2500DR		chg
6	LEV276001	1	DOCUMENT COVER ASSY (SP)	DCP-L2520D		chg
6	LEV276001	1	DOCUMENT COVER ASSY (SP)	DCP-L2520DW	FOR GER/UK/CHE/FRA/BEL/NLD/ PND/IBR/CEE	chg
6	LEV277001	1	DOCUMENT COVER ASSY (SP)	DCP-L2520DW	FOR US/CAN/BRZ	chg
6	LEV276001	1	DOCUMENT COVER ASSY (SP)	DCP-L2520DWR		chg
6	LEV278001	1	DOCUMENT COVER ASSY (SP)	DCP-L2560DW		chg
6	LEV278001	1	DOCUMENT COVER ASSY (SP)	DCP-L2560DWR		chg
6	LEV279001	1	DOCUMENT COVER ASSY (SP)	HL-L2380DW		chg
6-1	LX5183004	2	HINGE ARM	DCP-7080		
6-1	LX5183004	2	HINGE ARM	DCP-7080D		
6-1	LX5183004	2	HINGE ARM	DCP-L2500D		
6-1	LX5183004	2	HINGE ARM	DCP-L2500DR		
6-1	LX5183004	2	HINGE ARM	DCP-L2520D		
6-1	LX5183004	2	HINGE ARM	DCP-L2520DW		
6-1	LX5183004	2	HINGE ARM	DCP-L2520DWR		
6-1	LX5183004	2	HINGE ARM	DCP-L2560DW		
6-1	LX5183004	2	HINGE ARM	DCP-L2560DWR		
6-1	LX5183004	2	HINGE ARM	HL-L2380DW		
7	LX5182004	1	HINGE R	DCP-7080		
7	LX5182004	1	HINGE R	DCP-7080D		
7	LX5182004	1	HINGE R	DCP-L2500D		
7	LX5182004	1	HINGE R	DCP-L2500DR		
7	LX5182004	1	HINGE R	DCP-L2520D		
7	LX5182004	1	HINGE R	DCP-L2520DW		
7	LX5182004	1	HINGE R	DCP-L2520DWR		
7	LX5182004	1	HINGE R	DCP-L2560DW		
7	LX5182004	1	HINGE R	DCP-L2560DWR		
7	LX5182004	1	HINGE R	HL-L2380DW		
8	LX5089004	1	HINGE L	DCP-7080		
8	LX5089004	1	HINGE L	DCP-7080D		
8	LX5089004	1	HINGE L	DCP-L2500D		
8	LX5089004	1	HINGE L	DCP-L2500DR		
8	LX5089004	1	HINGE L	DCP-L2520D		
8	LX5089004	1	HINGE L	DCP-L2520DW		
8	LX5089004	1	HINGE L	DCP-L2520DWR		
8	LX5089004	1	HINGE L	DCP-L2560DW		
8	LX5089004	1	HINGE L	DCP-L2560DWR		
8	LX5089004	1	HINGE L	HL-L2380DW		
9	LS1690004	2	HINGE L SUPPORT	DCP-7080		
9	LS1690004	2	HINGE L SUPPORT	DCP-7080D		
9	LS1690004	2	HINGE L SUPPORT	DCP-L2500D		
9	LS1690004	2	HINGE L SUPPORT	DCP-L2500DR		
9	LS1690004	2	HINGE L SUPPORT	DCP-L2520D		
9	LS1690004	2	HINGE L SUPPORT	DCP-L2520DW		
9	LS1690004	2	HINGE L SUPPORT	DCP-L2520DWR		
9	LS1690004	2	HINGE L SUPPORT	DCP-L2560DW		
9	LS1690004	2	HINGE L SUPPORT	DCP-L2560DWR		
9	LS1690004	2	HINGE L SUPPORT	HL-L2380DW		

11. PANEL



11. PANEL

REF No.	CODE	Q'TY	DESCRIPTION	MODEL	SPEC	REMARKS
1	LEM225001	1	PANEL UNIT	DCP-7080		
1	LEM225001	1	PANEL UNIT	DCP-7080D		
1	LEM227001	1	PANEL UNIT	DCP-7180DN		
1	LEM089001	1	PANEL UNIT	DCP-L2500D		
1	LEM089001	1	PANEL UNIT	DCP-L2500DR		
1	LEM089001	1	PANEL UNIT	DCP-L2520D		
1	LEM271001	1	PANEL UNIT	DCP-L2520DW		
1	LEM271001	1	PANEL UNIT	DCP-L2520DWR		
1	LEM105001	1	PANEL UNIT	DCP-L2540DN		
1	LEM105001	1	PANEL UNIT	DCP-L2540DNR		
1	LEM107001	1	PANEL UNIT	DCP-L2540DW	FOR US/CAN/ARG/CHL/BRZ/PER	
1	LEV049001	1	PANEL UNIT	DCP-L2540DW	FOR PHL/IDN/THA/MYS	
1	LEV049001	1	PANEL UNIT	DCP-L2541DW		
1	LEM277001	1	PANEL UNIT	DCP-L2560DW		
1	LEM904001	1	PANEL UNIT	DCP-L2560DWR		
1	LEM108001	1	PANEL UNIT	HL-L2380DW		
1	LEM214001	1	PANEL UNIT	MFC-7380		
1	LEM217001	1	PANEL UNIT	MFC-7480D		
1	LEM219001	1	PANEL UNIT	MFC-7880DN		
1	LEV444001	1	PANEL UNIT	MFC-L2680W		
1	LEM909001	1	PANEL UNIT	MFC-L2700D	FOR PHL/IDN/THA/MYS	
1	LEV031001	1	PANEL UNIT	MFC-L2700D	FOR TWN	
1	LEV035001	1	PANEL UNIT	MFC-L2700D	FOR SAF/UAE/MENA	
1	LEM586001	1	PANEL UNIT	MFC-L2700D	FOR KOR	
1	LEV484001	1	PANEL UNIT	MFC-L2700DN	FOR GER	
1	LEV490001	1	PANEL UNIT	MFC-L2700DN	FOR UK/CHE/ISR/CEE	
1	LEV496001	1	PANEL UNIT	MFC-L2700DN	FOR FRA	
1	LEV614001	1	PANEL UNIT	MFC-L2700DN	FOR ITA	
1	LEV522001	1	PANEL UNIT	MFC-L2700DN	FOR POL	
1	LEV527001	1	PANEL UNIT	MFC-L2700DNR		
1	LEM052001	1	PANEL UNIT	MFC-L2700DW	FOR US/CAN	
1	LEM675001	1	PANEL UNIT	MFC-L2700DW	FOR GER	
1	LEM110001	1	PANEL UNIT	MFC-L2700DW	FOR UK/BEL/CHE/ISR/CEE/ SAF/UAE/MENA	
1	LEM681001	1	PANEL UNIT	MFC-L2700DW	FOR FRA	
1	LEM848001	1	PANEL UNIT	MFC-L2700DW	FOR ARL/PHL/NZ/IDN/THA/MYS	
1	LEM686001	1	PANEL UNIT	MFC-L2700DW	FOR NLD	
1	LEM691001	1	PANEL UNIT	MFC-L2700DW	FOR ITA	
1	LEV053001	1	PANEL UNIT	MFC-L2700DW	FOR TWN	
1	LEV041001	1	PANEL UNIT	MFC-L2700DW	FOR CHL/PER	
1	LEM839001	1	PANEL UNIT	MFC-L2700DW	FOR POL	
1	LEV113001	1	PANEL UNIT	MFC-L2700DW	FOR BRZ	
1	LEM223001	1	PANEL UNIT	MFC-L2700DW	FOR KOR	
1	LEM694001	1	PANEL UNIT	MFC-L2700DW	FOR PND	
1	LEM697001	1	PANEL UNIT	MFC-L2700DW	FOR IBR	
1	LEM842001	1	PANEL UNIT	MFC-L2700DWR		
1	LEM907001	1	PANEL UNIT	MFC-L2701D		
1	LEM849001	1	PANEL UNIT	MFC-L2701DW		
1	LEM803001	1	PANEL UNIT	MFC-L2703DW		
1	LEV080001	1	PANEL UNIT	MFC-L2705DW		
1	LEM709001	1	PANEL UNIT	MFC-L2720DW	FOR US/CAN/ARG/BRZ	
1	LEM280001	1	PANEL UNIT	MFC-L2720DW	FOR GER/UK/ARL/CHE/ITA/IBR/ NZ/FRA/BEL/NLD/PND/CEE	
1	LEM933001	1	PANEL UNIT	MFC-L2720DWR		
1	LEM035001	1	PANEL UNIT	MFC-L2740DW	FOR US/CAN/CHL/BRZ/PER	
1	LEM113001	1	PANEL UNIT	MFC-L2740DW	FOR GER/UK/ARL/CHE/ITA/ IBR/TWN/SAF/NZ/IDN/THA/FRA/ BEL/NLD/PND/MYS/UAE/MENA/CEE	
1	LEM944001	1	PANEL UNIT	MFC-L2740DWR		
1-1	LEM065001	1	PANEL COVER ASSY	DCP-7080		
1-1	LEM065001	1	PANEL COVER ASSY	DCP-7080D		
1-1	LEM228001	1	PANEL COVER ASSY	DCP-7180DN		
1-1	LEM065001	1	PANEL COVER ASSY	DCP-L2500D		
1-1	LEM065001	1	PANEL COVER ASSY	DCP-L2500DR		
1-1	LEM065001	1	PANEL COVER ASSY	DCP-L2520D		
1-1	LEM065001	1	PANEL COVER ASSY	DCP-L2520DW		
1-1	LEM065001	1	PANEL COVER ASSY	DCP-L2520DWR		
1-1	LEM121001	1	PANEL COVER ASSY	DCP-L2540DN		
1-1	LEM121001	1	PANEL COVER ASSY	DCP-L2540DNR		
1-1	LEM064001	1	PANEL COVER ASSY	DCP-L2540DW	FOR US/CAN/ARG/CHL/BRZ/PER	
1-1	LEM121001	1	PANEL COVER ASSY	DCP-L2540DW	FOR PHL/IDN/THA/MYS	
1-1	LEM121001	1	PANEL COVER ASSY	DCP-L2541DW		

11. PANEL

REF No.	CODE	QTY	DESCRIPTION	MODEL	SPEC	REMARKS
1-1	LEM921001	1	PANEL COVER ASSY	DCP-L2560DW		
1-1	LEV182001	1	PANEL COVER ASSY	DCP-L2560DWR		
1-1	LEM922001	1	PANEL COVER ASSY	HL-L2380DW		
1-1	LEM211001	1	PANEL COVER ASSY	MFC-7380		
1-1	LEM211001	1	PANEL COVER ASSY	MFC-7480D		
1-1	LEM211001	1	PANEL COVER ASSY	MFC-7880DN		
1-1	LEV438001	1	PANEL COVER ASSY	MFC-L2680W		
1-1	LEM666001	1	PANEL COVER ASSY	MFC-L2700D	FOR PHL/IDN/THA/MYS	
1-1	LEM668001	1	PANEL COVER ASSY	MFC-L2700D	FOR TWN	
1-1	LEM667001	1	PANEL COVER ASSY	MFC-L2700D	FOR SAF/UAE/MENA	
1-1	LEM452001	1	PANEL COVER ASSY	MFC-L2700D	FOR KOR	
1-1	LEV460001	1	PANEL COVER ASSY	MFC-L2700DN	FOR GER	
1-1	LEM667001	1	PANEL COVER ASSY	MFC-L2700DN	FOR UK/CHE/ISR/CEE	
1-1	LEV461001	1	PANEL COVER ASSY	MFC-L2700DN	FOR FRA	
1-1	LEV608001	1	PANEL COVER ASSY	MFC-L2700DN	FOR ITA	
1-1	LEV493001	1	PANEL COVER ASSY	MFC-L2700DN	FOR POL	
1-1	LEV462001	1	PANEL COVER ASSY	MFC-L2700DNR		
1-1	LEM054001	1	PANEL COVER ASSY	MFC-L2700DW	FOR US/CAN	
1-1	LEM353001	1	PANEL COVER ASSY	MFC-L2700DW	FOR GER	
1-1	LEM112001	1	PANEL COVER ASSY	MFC-L2700DW	FOR UK/BEL/CHE/ISR/CEE/ SAF/UAE/MENA	
1-1	LEM352001	1	PANEL COVER ASSY	MFC-L2700DW	FOR FRA	
1-1	LEM360001	1	PANEL COVER ASSY	MFC-L2700DW	FOR ARL/PHL/NZ/IDN/THA/MYS	
1-1	LEM354001	1	PANEL COVER ASSY	MFC-L2700DW	FOR NLD	
1-1	LEM357001	1	PANEL COVER ASSY	MFC-L2700DW	FOR ITA	
1-1	LEM361001	1	PANEL COVER ASSY	MFC-L2700DW	FOR TWN	
1-1	LEM350001	1	PANEL COVER ASSY	MFC-L2700DW	FOR CHL/PER	
1-1	LEM358001	1	PANEL COVER ASSY	MFC-L2700DW	FOR POL	
1-1	LEM351001	1	PANEL COVER ASSY	MFC-L2700DW	FOR BRZ	
1-1	LEM224001	1	PANEL COVER ASSY	MFC-L2700DW	FOR KOR	
1-1	LEM355001	1	PANEL COVER ASSY	MFC-L2700DW	FOR PND	
1-1	LEM356001	1	PANEL COVER ASSY	MFC-L2700DW	FOR IBR	
1-1	LEM359001	1	PANEL COVER ASSY	MFC-L2700DWR		
1-1	LEM666001	1	PANEL COVER ASSY	MFC-L2701D		
1-1	LEM360001	1	PANEL COVER ASSY	MFC-L2701DW		
1-1	LEM360001	1	PANEL COVER ASSY	MFC-L2703DW		
1-1	LEM054001	1	PANEL COVER ASSY	MFC-L2705DW		
1-1	LEM923001	1	PANEL COVER ASSY	MFC-L2720DW	FOR US/CAN/ARG/BRZ	
1-1	LEM924001	1	PANEL COVER ASSY	MFC-L2720DW	FOR GER/UK/ARL/CHE/ITA/IBR/ NZ/FRA/BEL/NLD/PND/CEE	
1-1	LEV184001	1	PANEL COVER ASSY	MFC-L2720DWR		
1-1	LEM925001	1	PANEL COVER ASSY	MFC-L2740DW	FOR US/CAN/CHL/BRZ/PER	
1-1	LEM926001	1	PANEL COVER ASSY	MFC-L2740DW	FOR GER/UK/ARL/CHE/ITA/IBR/ TWN/SAF/NZ/IDN/THA/FRA/BEL/ NLD/PND/MYS/UAE/MENA/CEE	
1-1	LEV185001	1	PANEL COVER ASSY	MFC-L2740DWR		
1-2	LT3266001	1	PANEL PCB ASSY	DCP-7080		
1-2	LT3266001	1	PANEL PCB ASSY	DCP-7080D		
1-2	LT3266001	1	PANEL PCB ASSY	DCP-7180DN		
1-2	LT2896001	1	PANEL PCB ASSY	DCP-L2500D		
1-2	LT2896001	1	PANEL PCB ASSY	DCP-L2500DR		
1-2	LT2896001	1	PANEL PCB ASSY	DCP-L2520D		
1-2	LT2896001	1	PANEL PCB ASSY	DCP-L2520DW		
1-2	LT2896001	1	PANEL PCB ASSY	DCP-L2520DWR		
1-2	LT2896002	1	PANEL PCB ASSY	DCP-L2540DN		
1-2	LT2896002	1	PANEL PCB ASSY	DCP-L2540DNR		
1-2	LT2896002	1	PANEL PCB ASSY	DCP-L2540DW		
1-2	LT2896002	1	PANEL PCB ASSY	DCP-L2541DW		
1-2	LT3173001	1	PANEL PCB ASSY	DCP-L2560DW		
1-2	LT3173001	1	PANEL PCB ASSY	DCP-L2560DWR		
1-2	LT3173001	1	PANEL PCB ASSY	HL-L2380DW		
1-2	LT3265001	1	PANEL PCB ASSY	MFC-7380		
1-2	LT3265001	1	PANEL PCB ASSY	MFC-7480D		
1-2	LT3265001	1	PANEL PCB ASSY	MFC-7880DN		
1-2	LT2878001	1	PANEL PCB ASSY	MFC-L2680W		
1-2	LT2878001	1	PANEL PCB ASSY	MFC-L2700D		
1-2	LT2878001	1	PANEL PCB ASSY	MFC-L2700DN		
1-2	LT2878001	1	PANEL PCB ASSY	MFC-L2700DNR		
1-2	LT2878001	1	PANEL PCB ASSY	MFC-L2700DW		
1-2	LT2878001	1	PANEL PCB ASSY	MFC-L2700DWR		
1-2	LT2878001	1	PANEL PCB ASSY	MFC-L2701D		
1-2	LT2878001	1	PANEL PCB ASSY	MFC-L2701DW		

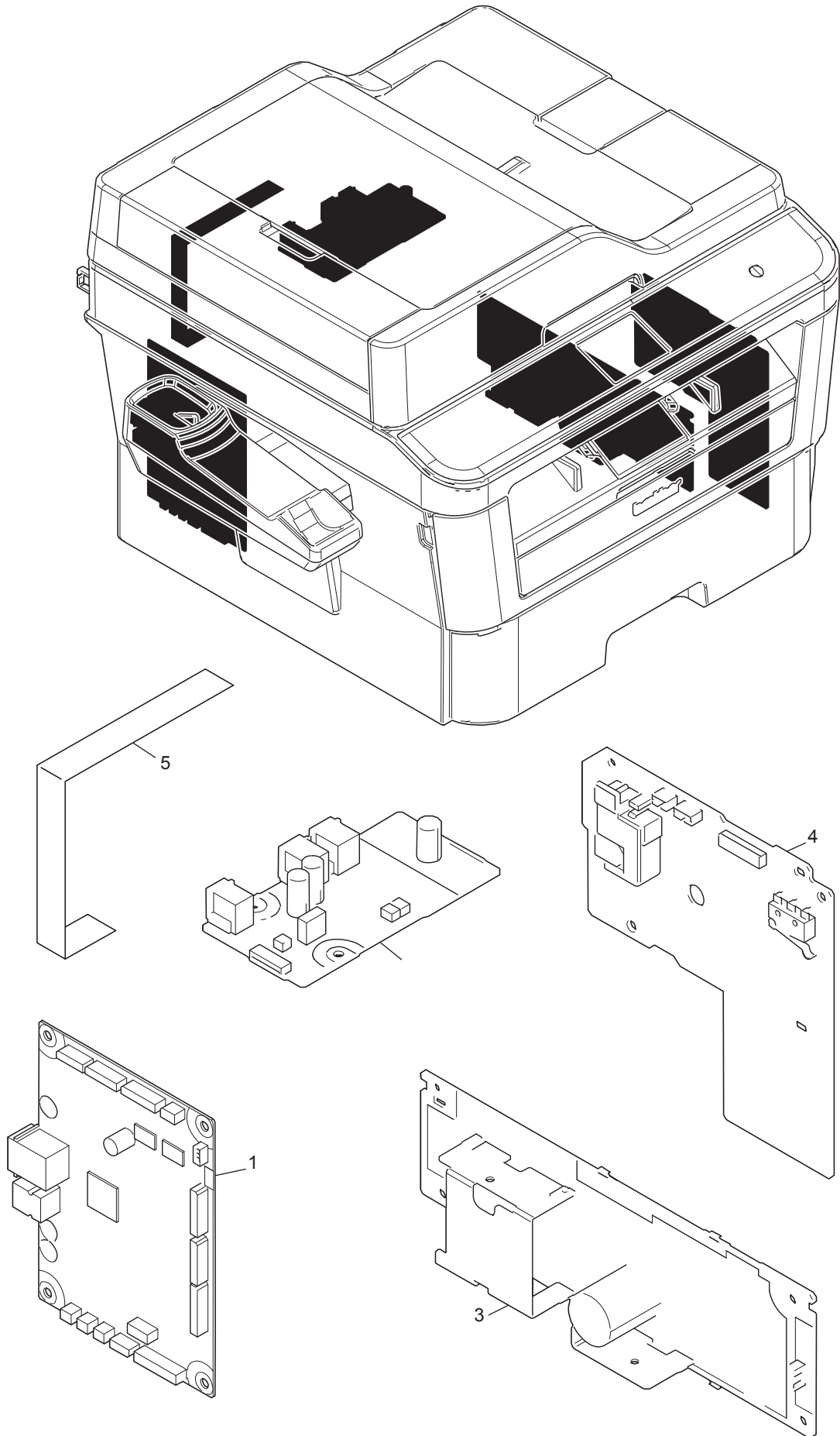
11. PANEL

REF No.	CODE	QTY	DESCRIPTION	MODEL	SPEC	REMARKS
1-2	LT2878001	1	PANEL PCB ASSY	MFC-L2703DW		
1-2	LT2878001	1	PANEL PCB ASSY	MFC-L2705DW		
1-2	LT3173001	1	PANEL PCB ASSY	MFC-L2720DW		
1-2	LT3173001	1	PANEL PCB ASSY	MFC-L2720DWR		
1-2	LT3173001	1	PANEL PCB ASSY	MFC-L2740DW		
1-2	LT3173001	1	PANEL PCB ASSY	MFC-L2740DWR		
1-3	A62261001	1	LCD	DCP-7080		
1-3	A62261001	1	LCD	DCP-7080D		
1-3	A62261001	1	LCD	DCP-7180DN		
1-3	A62258001	1	LCD	DCP-L2500D		
1-3	A62258001	1	LCD	DCP-L2500DR		
1-3	A62258001	1	LCD	DCP-L2520D		
1-3	A62258001	1	LCD	DCP-L2520DW		
1-3	A62258001	1	LCD	DCP-L2520DWR		
1-3	A62260001	1	LCD	DCP-L2540DN		
1-3	A62260001	1	LCD	DCP-L2540DNR		
1-3	A62260001	1	LCD	DCP-L2540DW		
1-3	A62260001	1	LCD	DCP-L2541DW		
1-3	A63539001	1	LCD	DCP-L2560DW		
1-3	A63539001	1	LCD	DCP-L2560DWR		
1-3	A63539001	1	LCD	HL-L2380DW		
1-3	A62261001	1	LCD	MFC-7380		
1-3	A62261001	1	LCD	MFC-7480D		
1-3	A62261001	1	LCD	MFC-7880DN		
1-3	A62257001	1	LCD	MFC-L2680W		
1-3	A62258001	1	LCD	MFC-L2700D		
1-3	A62258001	1	LCD	MFC-L2700DN		
1-3	A62258001	1	LCD	MFC-L2700DNR		
1-3	A62258001	1	LCD	MFC-L2700DW		FOR GER/UK/FRA/ARL/BEL/NLD/ CHE/ITA/ISR/CHL/POL/PND/IBR/ PER/CEE/PHL/TWN/SAF/NZ/IDN/ THA/KOR/MYS/UAE/MENA FOR US/CAN/BRZ
1-3	A62257001	1	LCD	MFC-L2700DW		
1-3	A62258001	1	LCD	MFC-L2700DWR		
1-3	A62258001	1	LCD	MFC-L2701D		
1-3	A62258001	1	LCD	MFC-L2701DW		
1-3	A62258001	1	LCD	MFC-L2703DW		
1-3	A62257001	1	LCD	MFC-L2705DW		
1-3	A63539001	1	LCD	MFC-L2720DW		
1-3	A63539001	1	LCD	MFC-L2720DWR		
1-3	A63539001	1	LCD	MFC-L2740DW		
1-3	A63539001	1	LCD	MFC-L2740DWR		
1-4	LEM216001	1	LCD SHEET	MFC-7380		
1-4	LEM218001	1	LCD SHEET	MFC-7480D		
1-4	LEM220001	1	LCD SHEET	MFC-7880DN		
1-4	LEV439001	1	LCD SHEET	MFC-L2680W		
1-4	LEM453001	1	LCD SHEET	MFC-L2700D		
1-4	LEV466001	1	LCD SHEET	MFC-L2700DN		
1-4	LEV467001	1	LCD SHEET	MFC-L2700DNR		
1-4	LEM060001	1	LCD SHEET	MFC-L2700DW		
1-4	LEM843001	1	LCD SHEET	MFC-L2700DWR		
1-4	LEM908001	1	LCD SHEET	MFC-L2701D		
1-4	LEM850001	1	LCD SHEET	MFC-L2701DW		
1-4	LEM804001	1	LCD SHEET	MFC-L2703DW		
1-4	LEV081001	1	LCD SHEET	MFC-L2705DW		
1-5	LEM048001	1	TOUCH PANEL ASSY	DCP-L2560DW		
1-5	LEM048001	1	TOUCH PANEL ASSY	DCP-L2560DWR		
1-5	LEM048001	1	TOUCH PANEL ASSY	HL-L2380DW		
1-5	LEM048001	1	TOUCH PANEL ASSY	MFC-L2720DW		
1-5	LEM048001	1	TOUCH PANEL ASSY	MFC-L2720DWR		
1-5	LEM048001	1	TOUCH PANEL ASSY	MFC-L2740DW		
1-5	LEM048001	1	TOUCH PANEL ASSY	MFC-L2740DWR		
2	LEM207001	1	LCD SHEET	DCP-7080		
2	LEM210001	1	LCD SHEET	DCP-7080D		
2	LEM213001	1	LCD SHEET	DCP-7180DN		
2	LEM094001	1	LCD SHEET	DCP-L2500D		
2	LEM815001	1	LCD SHEET	DCP-L2500DR		
2	LEM673001	1	LCD SHEET	DCP-L2520D		
2	LEM221001	1	LCD SHEET	DCP-L2520DW		
2	LEM827001	1	LCD SHEET	DCP-L2520DWR		
2	LEM133001	1	LCD SHEET	DCP-L2540DN		
2	LEM831001	1	LCD SHEET	DCP-L2540DNR		

11. PANEL

REF No.	CODE	Q'TY	DESCRIPTION	MODEL	SPEC	REMARKS
2	LEM070001	1	LCD SHEET	DCP-L2540DW		
2	LEV105001	1	LCD SHEET	DCP-L2541DW		
3	LEM208001	1	PRINTED PANEL COVER	DCP-7080		
3	LEM208001	1	PRINTED PANEL COVER	DCP-7080D		
3	LEM208001	1	PRINTED PANEL COVER	DCP-7180DN		
3	LEM623001	1	PRINTED PANEL COVER	DCP-L2500D	FOR GER/CHE	
3	LEM629001	1	PRINTED PANEL COVER	DCP-L2500D	FOR UK/FRA/BEL/NLD/PND/CEE	
3	LEM345001	1	PRINTED PANEL COVER	DCP-L2500D	FOR ITA	
3	LEM344001	1	PRINTED PANEL COVER	DCP-L2500D	FOR IBR	
3	LEM624001	1	PRINTED PANEL COVER	DCP-L2500D	FOR CHE/FRA/BEL/NLD	
3	LEM821001	1	PRINTED PANEL COVER	DCP-L2500D	FOR CEE	
3	LEM630001	1	PRINTED PANEL COVER	DCP-L2500D	FOR FRA/BEL/NLD	
3	LEM347001	1	PRINTED PANEL COVER	DCP-L2500DR		
3	LEM629001	1	PRINTED PANEL COVER	DCP-L2520D		
3	LEM657001	1	PRINTED PANEL COVER	DCP-L2520DW	FOR US/CAN/UK/FRA/BEL/NLD/ PND/CEE	
3	LEM653001	1	PRINTED PANEL COVER	DCP-L2520DW	FOR GER/CHE	
3	LEM238001	1	PRINTED PANEL COVER	DCP-L2520DW	FOR BRZ	
3	LEM338001	1	PRINTED PANEL COVER	DCP-L2520DW	FOR IBR	
3	LEM654001	1	PRINTED PANEL COVER	DCP-L2520DW	FOR CHE/FRA/BEL/NLD	
3	LEM829001	1	PRINTED PANEL COVER	DCP-L2520DW	FOR CEE	
3	LEM656001	1	PRINTED PANEL COVER	DCP-L2520DW	FOR FRA/BEL/NLD	
3	LEM339001	1	PRINTED PANEL COVER	DCP-L2520DWR		
3	LEM623001	1	PRINTED PANEL COVER	DCP-L2540DN	FOR GER	
3	LEM629001	1	PRINTED PANEL COVER	DCP-L2540DN	FOR UK/FRA/BEL/NLD/PND/CEE	
3	LEM345001	1	PRINTED PANEL COVER	DCP-L2540DN	FOR ITA	
3	LEM344001	1	PRINTED PANEL COVER	DCP-L2540DN	FOR IBR	
3	LEM624001	1	PRINTED PANEL COVER	DCP-L2540DN	FOR FRA/BEL/NLD	
3	LEM821001	1	PRINTED PANEL COVER	DCP-L2540DN	FOR CEE	
3	LEM630001	1	PRINTED PANEL COVER	DCP-L2540DN	FOR FRA/BEL/NLD	
3	LEM347001	1	PRINTED PANEL COVER	DCP-L2540DNR		
3	LEM657001	1	PRINTED PANEL COVER	DCP-L2540DW	FOR US/CAN/PHL/IDN/THA/MYS	
3	LEM333001	1	PRINTED PANEL COVER	DCP-L2540DW	FOR ARG/CHL/PER	
3	LEM238001	1	PRINTED PANEL COVER	DCP-L2540DW	FOR BRZ	
3	LEM657001	1	PRINTED PANEL COVER	DCP-L2541DW		
4	LEM062001	1	ADDRESS LABEL	MFC-7380		
4	LEM062001	1	ADDRESS LABEL	MFC-7480D		
4	LEM062001	1	ADDRESS LABEL	MFC-7880DN		
4	LEM062001	1	ADDRESS LABEL	MFC-L2680W		
4	LEM062001	1	ADDRESS LABEL	MFC-L2700D		
4	LEM062001	1	ADDRESS LABEL	MFC-L2700DN		
4	LEM062001	1	ADDRESS LABEL	MFC-L2700DNR		
4	LEM062001	1	ADDRESS LABEL	MFC-L2700DW		
4	LEM062001	1	ADDRESS LABEL	MFC-L2700DWR		
4	LEM062001	1	ADDRESS LABEL	MFC-L2701D		
4	LEM062001	1	ADDRESS LABEL	MFC-L2701DW		
4	LEM062001	1	ADDRESS LABEL	MFC-L2703DW		

12. PCB



12. PCB

REF No.	CODE	Q'TY	DESCRIPTION	MODEL	SPEC	REMARKS
1	LT3268001	1	MAIN PCB ASSY	DCP-7080		
1	LT3268001	1	MAIN PCB ASSY	DCP-7080D		
1	LT3271001	1	MAIN PCB ASSY	DCP-7180DN		
1	LT3172001	1	MAIN PCB ASSY	DCP-L2500D		
1	LT3172001	1	MAIN PCB ASSY	DCP-L2500DR		
1	LT3512001	1	MAIN PCB ASSY	DCP-L2520D		
1	LT3221001	1	MAIN PCB ASSY	DCP-L2520DW		
1	LT3221001	1	MAIN PCB ASSY	DCP-L2520DWR		
1	LT3171001	1	MAIN PCB ASSY	DCP-L2540DN		
1	LT3171001	1	MAIN PCB ASSY	DCP-L2540DNR		
1	LT3168001	1	MAIN PCB ASSY	DCP-L2540DW		
1	LT3168001	1	MAIN PCB ASSY	DCP-L2541DW		
1	LT3167001	1	MAIN PCB ASSY*	DCP-L2560DW		
1	LT3751001	1	MAIN PCB ASSY*	DCP-L2560DW		add
1	LT3167001	1	MAIN PCB ASSY*	DCP-L2560DWR		
1	LT3751001	1	MAIN PCB ASSY*	DCP-L2560DWR		ADD
1	LT3167001	1	MAIN PCB ASSY*	HL-L2380DW		
1	LT3751001	1	MAIN PCB ASSY*	HL-L2380DW		ADD
1	LT3273001	1	MAIN PCB ASSY	MFC-7380		
1	LT3273001	1	MAIN PCB ASSY	MFC-7480D		
1	LT3276001	1	MAIN PCB ASSY	MFC-7880DN		
1	LT3829001	1	MAIN PCB ASSY	MFC-L2680W		
1	LT3416001	1	MAIN PCB ASSY	MFC-L2700D		
1	LT3842001	1	MAIN PCB ASSY	MFC-L2700DN		
1	LT3842001	1	MAIN PCB ASSY	MFC-L2700DNR		
1	LT3166001	1	MAIN PCB ASSY	MFC-L2700DW	FOR US/CAN/BRZ	
1	LT3609001	1	MAIN PCB ASSY	MFC-L2700DW	FOR GER/UK/FRA/ARL/BEL/NLD/CHE/ ITA/ISR/CHL/POL/PND/IBR/PER/CEE	
1	LT3288001	1	MAIN PCB ASSY	MFC-L2700DW	FOR PHL/TWN/SAF/NZ/IDN/THA/ KOR/MYS/UAE/MENA	
1	LT3609001	1	MAIN PCB ASSY	MFC-L2700DWR		
1	LT3416001	1	MAIN PCB ASSY	MFC-L2701D		
1	LT3288001	1	MAIN PCB ASSY	MFC-L2701DW		
1	LT3288001	1	MAIN PCB ASSY	MFC-L2703DW		
1	LT3288001	1	MAIN PCB ASSY	MFC-L2705DW		
1	LT3219001	1	MAIN PCB ASSY*	MFC-L2720DW		
1	LT3752001	1	MAIN PCB ASSY*	MFC-L2720DW		add
1	LT3219001	1	MAIN PCB ASSY*	MFC-L2720DWR		
1	LT3752001	1	MAIN PCB ASSY*	MFC-L2720DWR		ADD
1	LT3165001	1	MAIN PCB ASSY*	MFC-L2740DW		
1	LT3753001	1	MAIN PCB ASSY*	MFC-L2740DW		add
1	LT3165001	1	MAIN PCB ASSY*	MFC-L2740DWR		
1	LT3753001	1	MAIN PCB ASSY*	MFC-L2740DWR		ADD
2	LT3279024	1	MODEM PCB ASSY	MFC-7380		
2	LT3279024	1	MODEM PCB ASSY	MFC-7480D		
2	LT3279024	1	MODEM PCB ASSY	MFC-7880DN		
2	LT3292001	1	MODEM PCB ASSY	MFC-L2680W		
2	LT3292001	1	MODEM PCB ASSY	MFC-L2700D	FOR PHL/TWN/IDN/THA/KOR/MYS	
2	LT3293002	1	MODEM PCB ASSY	MFC-L2700D	FOR SAF/UAE/MENA	
2	LT3293002	1	MODEM PCB ASSY	MFC-L2700DN		
2	LT3293002	1	MODEM PCB ASSY	MFC-L2700DNR		
2	LT3294003	1	MODEM PCB ASSY	MFC-L2700DW	FOR ARL	
2	LT3292001	1	MODEM PCB ASSY	MFC-L2700DW	FOR US/CAN/CHL/BRZ/PER/PHL/ TWN/NZ/IDN/THA/KOR/MYS	
2	LT3293002	1	MODEM PCB ASSY	MFC-L2700DW	FOR GER/UK/FRA/BEL/NLD/ CHE/ITA/ISR/POL/PND/IBR/ CEE/SAF/UAE/MENA	
2	LT3293002	1	MODEM PCB ASSY	MFC-L2700DWR		
2	LT3292001	1	MODEM PCB ASSY	MFC-L2701D		
2	LT3292001	1	MODEM PCB ASSY	MFC-L2701DW		
2	LT3294003	1	MODEM PCB ASSY	MFC-L2703DW		
2	LT3292001	1	MODEM PCB ASSY	MFC-L2705DW		
2	LT3294003	1	MODEM PCB ASSY	MFC-L2720DW	FOR ARL	
2	LT3292001	1	MODEM PCB ASSY	MFC-L2720DW	FOR US/CAN/NZ/ARG/BRZ	
2	LT3293002	1	MODEM PCB ASSY	MFC-L2720DW	FOR GER/UK/CHE/ITA/IBR/ FRA/BEL/NLD/PND/CEE	
2	LT3293002	1	MODEM PCB ASSY	MFC-L2720DWR		
2	LT3294003	1	MODEM PCB ASSY	MFC-L2740DW	FOR ARL	
2	LT3292001	1	MODEM PCB ASSY	MFC-L2740DW	FOR US/CAN/TWN/NZ/IDN/THA/ CHL/BRZ/MYS/PER	

12. PCB

REF No.	CODE	Q'TY	DESCRIPTION	MODEL	SPEC	REMARKS
2	LT3293002	1	MODEM PCB ASSY	MFC-L2740DW	FOR GER/UK/CHE/ITA/IBR/SAF/ FRA/BEL/NLD/PND/UAE/MENA/CEE	
2	LT3293002	1	MODEM PCB ASSY	MFC-L2740DWR		
3	LT3251001	1	LOW-VOLTAGE POWER SUPPLY PCB ASSY	DCP-7080		
3	LT3251001	1	LOW-VOLTAGE POWER SUPPLY PCB ASSY	DCP-7080D		
3	LT3251001	1	LOW-VOLTAGE POWER SUPPLY PCB ASSY	DCP-7180DN		
3	LT3563001	1	LOW-VOLTAGE POWER SUPPLY PCB ASSY	DCP-L2500D	FOR GER	
3	LT2889001	1	LOW-VOLTAGE POWER SUPPLY PCB ASSY	DCP-L2500D	FOR UK/CHE/ITA/FRA/BEL/NLD/ PND/IBR/CEE	
3	LT3552001	1	LOW-VOLTAGE POWER SUPPLY PCB ASSY	DCP-L2500DR		
3	LT3656001	1	LOW-VOLTAGE POWER SUPPLY PCB ASSY	DCP-L2520D	FOR IND	
3	LT3548001	1	LOW-VOLTAGE POWER SUPPLY PCB ASSY	DCP-L2520D	FOR MYS	
3	LT2884001	1	LOW-VOLTAGE POWER SUPPLY PCB ASSY	DCP-L2520DW	FOR US/CAN	
3	LT3563001	1	LOW-VOLTAGE POWER SUPPLY PCB ASSY	DCP-L2520DW	FOR GER	
3	LT2889001	1	LOW-VOLTAGE POWER SUPPLY PCB ASSY	DCP-L2520DW	FOR UK/CHE/FRA/BEL/NLD/PND/ IBR/CEE	
3	LT3281001	1	LOW-VOLTAGE POWER SUPPLY PCB ASSY	DCP-L2520DW	FOR BRZ	
3	LT3552001	1	LOW-VOLTAGE POWER SUPPLY PCB ASSY	DCP-L2520DWR		
3	LT3563001	1	LOW-VOLTAGE POWER SUPPLY PCB ASSY	DCP-L2540DN	FOR GER	
3	LT2889001	1	LOW-VOLTAGE POWER SUPPLY PCB ASSY	DCP-L2540DN	FOR UK/ITA/FRA/BEL/NLD/PND/ IBR/CEE	
3	LT3552001	1	LOW-VOLTAGE POWER SUPPLY PCB ASSY	DCP-L2540DNR		
3	LT3548001	1	LOW-VOLTAGE POWER SUPPLY PCB ASSY	DCP-L2540DW	FOR MYS	
3	LT2884001	1	LOW-VOLTAGE POWER SUPPLY PCB ASSY	DCP-L2540DW	FOR US/CAN	
3	LT2889001	1	LOW-VOLTAGE POWER SUPPLY PCB ASSY	DCP-L2540DW	FOR ARG/CHL/PER	
3	LT3655001	1	LOW-VOLTAGE POWER SUPPLY PCB ASSY	DCP-L2540DW	FOR PHL	
3	LT3630001	1	LOW-VOLTAGE POWER SUPPLY PCB ASSY	DCP-L2540DW	FOR IDN/THA	
3	LT3281001	1	LOW-VOLTAGE POWER SUPPLY PCB ASSY	DCP-L2540DW	FOR BRZ	
3	LT3656001	1	LOW-VOLTAGE POWER SUPPLY PCB ASSY	DCP-L2541DW		
3	LT3563001	1	LOW-VOLTAGE POWER SUPPLY PCB ASSY	DCP-L2560DW	FOR GER	
3	LT2889001	1	LOW-VOLTAGE POWER SUPPLY PCB ASSY	DCP-L2560DW	FOR CHE/FRA/BEL/NLD/PND/CEE	
3	LT3552001	1	LOW-VOLTAGE POWER SUPPLY PCB ASSY	DCP-L2560DWR		
3	LT2884001	1	LOW-VOLTAGE POWER SUPPLY PCB ASSY	HL-L2380DW	FOR US/CAN	
3	LT3521001	1	LOW-VOLTAGE POWER SUPPLY PCB ASSY	HL-L2380DW	FOR ARL/NZ	
3	LT3251001	1	LOW-VOLTAGE POWER SUPPLY PCB ASSY	MFC-7380		
3	LT3251001	1	LOW-VOLTAGE POWER SUPPLY PCB ASSY	MFC-7480D		
3	LT3251001	1	LOW-VOLTAGE POWER SUPPLY PCB ASSY	MFC-7880DN		
3	LT2884001	1	LOW-VOLTAGE POWER SUPPLY PCB ASSY	MFC-L2680W		
3	LT3548001	1	LOW-VOLTAGE POWER SUPPLY PCB ASSY	MFC-L2700D	FOR MYS	

12. PCB

REF No.	CODE	Q'TY	DESCRIPTION	MODEL	SPEC	REMARKS
3	LT3655001	1	LOW-VOLTAGE POWER SUPPLY PCB ASSY	MFC-L2700D	FOR PHL	
3	LT3533001	1	LOW-VOLTAGE POWER SUPPLY PCB ASSY	MFC-L2700D	FOR TWN	
3	LT3624001	1	LOW-VOLTAGE POWER SUPPLY PCB ASSY	MFC-L2700D	FOR SAF	
3	LT3630001	1	LOW-VOLTAGE POWER SUPPLY PCB ASSY	MFC-L2700D	FOR IDN/THA	
3	LT3255001	1	LOW-VOLTAGE POWER SUPPLY PCB ASSY	MFC-L2700D	FOR KOR	
3	LT3625001	1	LOW-VOLTAGE POWER SUPPLY PCB ASSY	MFC-L2700D	FOR UAE	
3	LT3626001	1	LOW-VOLTAGE POWER SUPPLY PCB ASSY	MFC-L2700D	FOR MENA	
3	LT3563001	1	LOW-VOLTAGE POWER SUPPLY PCB ASSY	MFC-L2700DN	FOR GER	
3	LT2889001	1	LOW-VOLTAGE POWER SUPPLY PCB ASSY	MFC-L2700DN	FOR UK/FRA/CHE/ITA/ISR/POL/CEE	
3	LT3552001	1	LOW-VOLTAGE POWER SUPPLY PCB ASSY	MFC-L2700DNR		
3	LT3548001	1	LOW-VOLTAGE POWER SUPPLY PCB ASSY	MFC-L2700DW	FOR MYS	
3	LT2884001	1	LOW-VOLTAGE POWER SUPPLY PCB ASSY	MFC-L2700DW	FOR US/CAN	
3	LT3563001	1	LOW-VOLTAGE POWER SUPPLY PCB ASSY	MFC-L2700DW	FOR GER	
3	LT2889001	1	LOW-VOLTAGE POWER SUPPLY PCB ASSY	MFC-L2700DW	FOR UK/FRA/BEL/NLD/CHE/ITA/ ISR/CHL/POL/PND/IBR/PER/CEE	
3	LT3521001	1	LOW-VOLTAGE POWER SUPPLY PCB ASSY	MFC-L2700DW	FOR ARL/NZ	
3	LT3655001	1	LOW-VOLTAGE POWER SUPPLY PCB ASSY	MFC-L2700DW	FOR PHL	
3	LT3533001	1	LOW-VOLTAGE POWER SUPPLY PCB ASSY	MFC-L2700DW	FOR TWN	
3	LT3624001	1	LOW-VOLTAGE POWER SUPPLY PCB ASSY	MFC-L2700DW	FOR SAF	
3	LT3630001	1	LOW-VOLTAGE POWER SUPPLY PCB ASSY	MFC-L2700DW	FOR IDN/THA	
3	LT3281001	1	LOW-VOLTAGE POWER SUPPLY PCB ASSY	MFC-L2700DW	FOR BRZ	
3	LT3255001	1	LOW-VOLTAGE POWER SUPPLY PCB ASSY	MFC-L2700DW	FOR KOR	
3	LT3625001	1	LOW-VOLTAGE POWER SUPPLY PCB ASSY	MFC-L2700DW	FOR UAE	
3	LT3626001	1	LOW-VOLTAGE POWER SUPPLY PCB ASSY	MFC-L2700DW	FOR MENA	
3	LT3552001	1	LOW-VOLTAGE POWER SUPPLY PCB ASSY	MFC-L2700DWR		
3	LT3656001	1	LOW-VOLTAGE POWER SUPPLY PCB ASSY	MFC-L2701D	FOR IND	
3	LT3630001	1	LOW-VOLTAGE POWER SUPPLY PCB ASSY	MFC-L2701D	FOR VNM	
3	LT3656001	1	LOW-VOLTAGE POWER SUPPLY PCB ASSY	MFC-L2701DW	FOR IND	
3	LT3630001	1	LOW-VOLTAGE POWER SUPPLY PCB ASSY	MFC-L2701DW	FOR VNM	
3	LT3521001	1	LOW-VOLTAGE POWER SUPPLY PCB ASSY	MFC-L2703DW		
3	LT2884001	1	LOW-VOLTAGE POWER SUPPLY PCB ASSY	MFC-L2705DW		
3	LT2884001	1	LOW-VOLTAGE POWER SUPPLY PCB ASSY	MFC-L2720DW	FOR US/CAN	
3	LT3563001	1	LOW-VOLTAGE POWER SUPPLY PCB ASSY	MFC-L2720DW	FOR GER	
3	LT2889001	1	LOW-VOLTAGE POWER SUPPLY PCB ASSY	MFC-L2720DW	FOR UK/CHE/ITA/IBR/ARG/ FRA/BEL/NLD/PND/CEE	
3	LT3521001	1	LOW-VOLTAGE POWER SUPPLY PCB ASSY	MFC-L2720DW	FOR ARL/NZ	

12. PCB

REF No.	CODE	Q'TY	DESCRIPTION	MODEL	SPEC	REMARKS
3	LT3281001	1	LOW-VOLTAGE POWER SUPPLY PCB ASSY	MFC-L2720DW	FOR BRZ	
3	LT3552001	1	LOW-VOLTAGE POWER SUPPLY PCB ASSY	MFC-L2720DWR		
3	LT3548001	1	LOW-VOLTAGE POWER SUPPLY PCB ASSY	MFC-L2740DW	FOR MYS	
3	LT2884001	1	LOW-VOLTAGE POWER SUPPLY PCB ASSY	MFC-L2740DW	FOR US/CAN	
3	LT3563001	1	LOW-VOLTAGE POWER SUPPLY PCB ASSY	MFC-L2740DW	FOR GER	
3	LT2889001	1	LOW-VOLTAGE POWER SUPPLY PCB ASSY	MFC-L2740DW	FOR UK/CHE/ITA/IBR/CHL/ FRA/BEL/NLD/PND/PER/CEE	
3	LT3521001	1	LOW-VOLTAGE POWER SUPPLY PCB ASSY	MFC-L2740DW	FOR ARL/NZ	
3	LT3533001	1	LOW-VOLTAGE POWER SUPPLY PCB ASSY	MFC-L2740DW	FOR TWN	
3	LT3624001	1	LOW-VOLTAGE POWER SUPPLY PCB ASSY	MFC-L2740DW	FOR SAF	
3	LT3630001	1	LOW-VOLTAGE POWER SUPPLY PCB ASSY	MFC-L2740DW	FOR IDN/THA	
3	LT3281001	1	LOW-VOLTAGE POWER SUPPLY PCB ASSY	MFC-L2740DW	FOR BRZ	
3	LT3625001	1	LOW-VOLTAGE POWER SUPPLY PCB ASSY	MFC-L2740DW	FOR UAE	
3	LT3626001	1	LOW-VOLTAGE POWER SUPPLY PCB ASSY	MFC-L2740DW	FOR MENA	
3	LT3552001	1	LOW-VOLTAGE POWER SUPPLY PCB ASSY	MFC-L2740DWR		
4	LV1241001	1	HIGH-VOLTAGE POWER SUPPLY PCB ASSY	DCP-7080		
4	LV1241001	1	HIGH-VOLTAGE POWER SUPPLY PCB ASSY	DCP-7080D		
4	LV1241001	1	HIGH-VOLTAGE POWER SUPPLY PCB ASSY	DCP-7180DN		
4	LV1241001	1	HIGH-VOLTAGE POWER SUPPLY PCB ASSY	DCP-L2500D		
4	LV1241001	1	HIGH-VOLTAGE POWER SUPPLY PCB ASSY	DCP-L2500DR		
4	LV1243001	1	HIGH-VOLTAGE POWER SUPPLY PCB ASSY	DCP-L2520D		
4	LV1241001	1	HIGH-VOLTAGE POWER SUPPLY PCB ASSY	DCP-L2520DW	FOR US/BRZ	
4	LV1243001	1	HIGH-VOLTAGE POWER SUPPLY PCB ASSY	DCP-L2520DW	FOR CAN/GER/UK/CHE/ FRA/BEL/NLD/PND/IBR/CEE	
4	LV1243001	1	HIGH-VOLTAGE POWER SUPPLY PCB ASSY	DCP-L2520DWR		
4	LV1241001	1	HIGH-VOLTAGE POWER SUPPLY PCB ASSY	DCP-L2540DN		
4	LV1241001	1	HIGH-VOLTAGE POWER SUPPLY PCB ASSY	DCP-L2540DNR		
4	LV1241001	1	HIGH-VOLTAGE POWER SUPPLY PCB ASSY	DCP-L2540DW		
4	LV1241001	1	HIGH-VOLTAGE POWER SUPPLY PCB ASSY	DCP-L2541DW		
4	LV1241001	1	HIGH-VOLTAGE POWER SUPPLY PCB ASSY	DCP-L2560DW		
4	LV1241001	1	HIGH-VOLTAGE POWER SUPPLY PCB ASSY	DCP-L2560DWR		
4	LV1241001	1	HIGH-VOLTAGE POWER SUPPLY PCB ASSY	HL-L2380DW		
4	LV1241001	1	HIGH-VOLTAGE POWER SUPPLY PCB ASSY	MFC-7380		
4	LV1241001	1	HIGH-VOLTAGE POWER SUPPLY PCB ASSY	MFC-7480D		
4	LV1241001	1	HIGH-VOLTAGE POWER SUPPLY PCB ASSY	MFC-7880DN		
4	LV1243001	1	HIGH-VOLTAGE POWER SUPPLY PCB ASSY	MFC-L2680W		

12. PCB

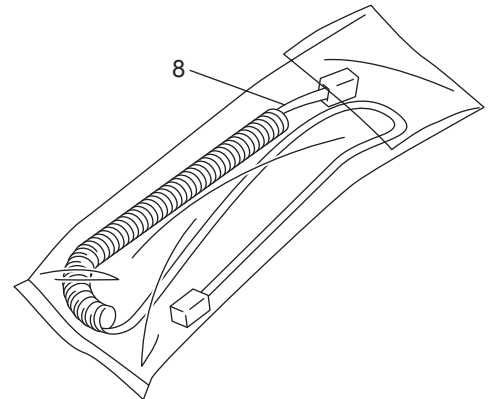
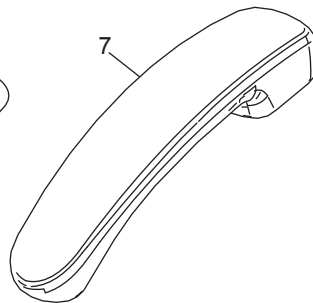
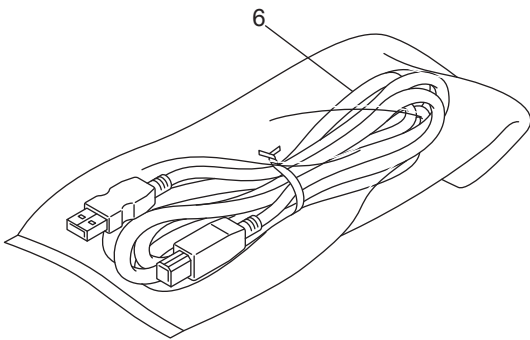
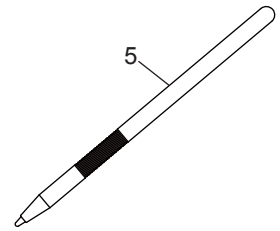
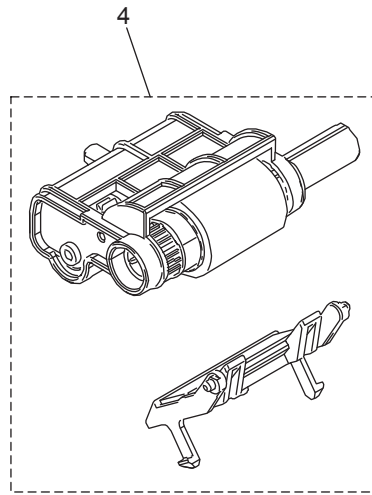
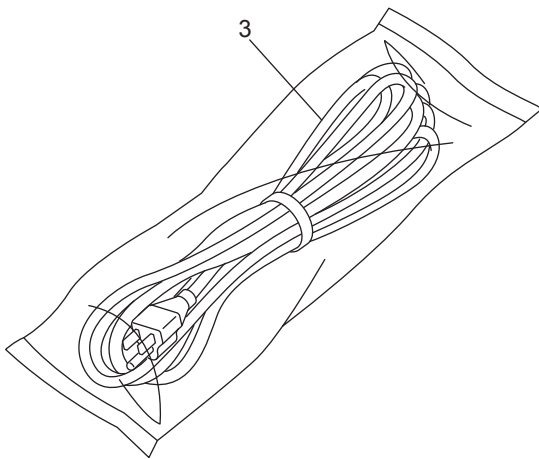
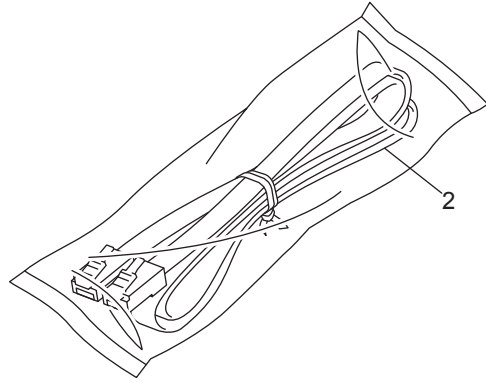
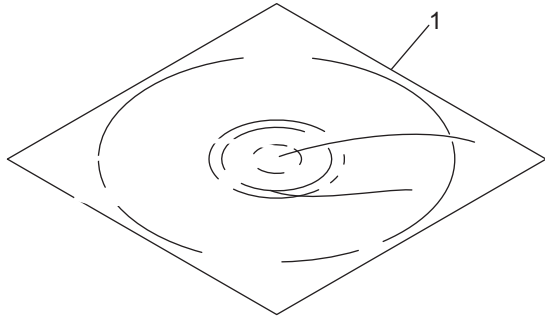
REF No.	CODE	Q'TY	DESCRIPTION	MODEL	SPEC	REMARKS
4	LV1243001	1	HIGH-VOLTAGE POWER SUPPLY PCB ASSY	MFC-L2700D		
4	LV1243001	1	HIGH-VOLTAGE POWER SUPPLY PCB ASSY	MFC-L2700DN		
4	LV1243001	1	HIGH-VOLTAGE POWER SUPPLY PCB ASSY	MFC-L2700DNR		
4	LV1243001	1	HIGH-VOLTAGE POWER SUPPLY PCB ASSY	MFC-L2700DW		
4	LV1243001	1	HIGH-VOLTAGE POWER SUPPLY PCB ASSY	MFC-L2700DWR		
4	LV1243001	1	HIGH-VOLTAGE POWER SUPPLY PCB ASSY	MFC-L2701D		
4	LV1243001	1	HIGH-VOLTAGE POWER SUPPLY PCB ASSY	MFC-L2701DW		
4	LV1243001	1	HIGH-VOLTAGE POWER SUPPLY PCB ASSY	MFC-L2703DW		
4	LV1243001	1	HIGH-VOLTAGE POWER SUPPLY PCB ASSY	MFC-L2705DW		
4	LV1241001	1	HIGH-VOLTAGE POWER SUPPLY PCB ASSY	MFC-L2720DW	FOR UK	
4	LV1243001	1	HIGH-VOLTAGE POWER SUPPLY PCB ASSY	MFC-L2720DW	FOR US/CAN/GER/ARL/CHE/ITA/IBR/NZ/ARG/BRZ/FRA/BEL/NLD/PND/CEE	
4	LV1243001	1	HIGH-VOLTAGE POWER SUPPLY PCB ASSY	MFC-L2720DWR		
4	LV1241001	1	HIGH-VOLTAGE POWER SUPPLY PCB ASSY	MFC-L2740DW	FOR US/CAN/GER/UK/ARL/CHE/ITA/IBR/TWN/SAF/NZ/IDN/THA/CHL/FRA/BEL/NLD/PND/MYS/PER/UAE/MENA/CEE	
4	LV1243001	1	HIGH-VOLTAGE POWER SUPPLY PCB ASSY	MFC-L2740DW	FOR BRZ	
4	LV1241001	1	HIGH-VOLTAGE POWER SUPPLY PCB ASSY	MFC-L2740DWR		
5	LT2881001	1	MODEM FLAT CABLE	MFC-7380		
5	LT2881001	1	MODEM FLAT CABLE	MFC-7480D		
5	LT2881001	1	MODEM FLAT CABLE	MFC-7880DN		
5	LT2881001	1	MODEM FLAT CABLE	MFC-L2680W		
5	LT2881001	1	MODEM FLAT CABLE	MFC-L2700D		
5	LT2881001	1	MODEM FLAT CABLE	MFC-L2700DN		
5	LT2881001	1	MODEM FLAT CABLE	MFC-L2700DNR		
5	LT2881001	1	MODEM FLAT CABLE	MFC-L2700DW		
5	LT2881001	1	MODEM FLAT CABLE	MFC-L2700DWR		
5	LT2881001	1	MODEM FLAT CABLE	MFC-L2701D		
5	LT2881001	1	MODEM FLAT CABLE	MFC-L2701DW		
5	LT2881001	1	MODEM FLAT CABLE	MFC-L2703DW		
5	LT2881001	1	MODEM FLAT CABLE	MFC-L2705DW		
5	LT2881001	1	MODEM FLAT CABLE	MFC-L2720DW		
5	LT2881001	1	MODEM FLAT CABLE	MFC-L2720DWR		
5	LT2881001	1	MODEM FLAT CABLE	MFC-L2740DW		
5	LT2881001	1	MODEM FLAT CABLE	MFC-L2740DWR		

* When replacing the Main PCB ASSY, please check the compatibility between Old and New and the combination of the Main PCB ASSY and the Wireless LAN PCB.Regarding the how to distinguish between the Old and the New Main PCB ASSY and the Wireless LAN PCB, please refer to the attached file "Distinction_OLD-NEW_PCB-WLAN.pdf" on the Parts List Service Contents (DataBank).

DCP-L2520DW DCP-L254* DW MFC-L270* DW		WIRELESS LAN PCB	
		OLD	NEW
		LT3808001	LT3652001
MAIN PCB ASSY	LT3166001 LT3168001 LT3221001 LT3288001 LT3609001	OK	OK
GASKET	LV1394001	NEED	NOT NEED

OTHERS			WIRELESS LAN PCB	
			OLD	NEW
			LT3808001	LT3652001
MAIN PCB ASSY	OLD	LT3167001	OK	NG
		LT3219001 LT3165001		
	NEW	LT3751001	NG	OK
		LT3752001 LT3753001		
GASKET	LV1394001	NEED	NOT NEED	

13. ACCESSORIES



13. ACCESSORIES

REF No.	CODE	Q'TY	DESCRIPTION	MODEL	SPEC	REMARKS
1	LEM166001	1	CDROM ASSY	DCP-7080		
1	LEM166001	1	CDROM ASSY	DCP-7080D		
1	LEM166001	1	CDROM ASSY	DCP-7180DN		
1	LEM172001	1	CDROM ASSY	DCP-L2500D	FOR GER/UK/CHE/ITA/ FRA/BEL/NLD/IBR	
1	LEM170001	1	CDROM ASSY	DCP-L2500D	FOR PND	
1	LEM168001	1	CDROM ASSY	DCP-L2500D	FOR CEE	
1	LEM170001	1	CDROM ASSY	DCP-L2500DR		
1	LEM163001	1	CDROM ASSY	DCP-L2520D		
1	LEM172001	1	CDROM ASSY	DCP-L2520DW	FOR GER/UK/CHE/FRA/BEL/NLD/IBR	
1	LEM170001	1	CDROM ASSY	DCP-L2520DW	FOR PND	
1	LEM168001	1	CDROM ASSY	DCP-L2520DW	FOR CEE	
1	LEM176001	1	CDROM ASSY	DCP-L2520DW	FOR US	
1	LEM174001	1	CDROM ASSY	DCP-L2520DW	FOR CAN/BRZ	
1	LEM170001	1	CDROM ASSY	DCP-L2520DWR		
1	LEM172001	1	CDROM ASSY	DCP-L2540DN	FOR GER/UK/ITA/FRA/BEL/NLD/IBR	
1	LEM170001	1	CDROM ASSY	DCP-L2540DN	FOR PND	
1	LEM168001	1	CDROM ASSY	DCP-L2540DN	FOR CEE	
1	LEM170001	1	CDROM ASSY	DCP-L2540DNR		
1	LEM163001	1	CDROM ASSY	DCP-L2540DW	FOR PHL/IDN/THA/MYS	
1	LEM176001	1	CDROM ASSY	DCP-L2540DW	FOR US	
1	LEM174001	1	CDROM ASSY	DCP-L2540DW	FOR CAN/ARG/CHL/BRZ/PER	
1	LEM163001	1	CDROM ASSY	DCP-L2541DW		
1	LEM172001	1	CDROM ASSY	DCP-L2560DW	FOR GER/CHE/FRA/BEL/NLD	
1	LEM170001	1	CDROM ASSY	DCP-L2560DW	FOR PND	
1	LEM168001	1	CDROM ASSY	DCP-L2560DW	FOR CEE	
1	LEM170001	1	CDROM ASSY	DCP-L2560DWR		
1	LEM176001	1	CDROM ASSY	HL-L2380DW	FOR US	
1	LEM181001	1	CDROM ASSY	HL-L2380DW	FOR ARL/NZ	
1	LEM174001	1	CDROM ASSY	HL-L2380DW	FOR CAN	
1	LEM166001	1	CDROM ASSY	MFC-7380		
1	LEM166001	1	CDROM ASSY	MFC-7480D		
1	LEM166001	1	CDROM ASSY	MFC-7880DN		
1	LEV418001	1	CDROM ASSY	MFC-L2680W		
1	LEM164001	1	CDROM ASSY	MFC-L2700D	FOR PHL/SAF/IDN/THA/MYS/UAE/MENA	
1	LEM165001	1	CDROM ASSY	MFC-L2700D	FOR TWN/KOR	
1	LEV458001	1	CDROM ASSY	MFC-L2700DN	FOR POL/CEE	
1	LEV419001	1	CDROM ASSY	MFC-L2700DN	FOR GER/UK/FRA/CHE/ITA/ISR	
1	LEV459001	1	CDROM ASSY	MFC-L2700DNR		
1	LEV458001	1	CDROM ASSY	MFC-L2700DW	FOR POL/CEE	CHG
1	LEM177001	1	CDROM ASSY	MFC-L2700DW	FOR US	
1	LEV419001	1	CDROM ASSY	MFC-L2700DW	FOR GER/UK/FRA/BEL/NLD/ CHE/ITA/ISR/IBR	CHG
1	LEM181001	1	CDROM ASSY	MFC-L2700DW	FOR ARL/NZ	
1	LEM164001	1	CDROM ASSY	MFC-L2700DW	FOR PHL/SAF/IDN/THA/MYS/UAE/MENA	
1	LEM165001	1	CDROM ASSY	MFC-L2700DW	FOR TWN/KOR	
1	LEV459001	1	CDROM ASSY	MFC-L2700DW	FOR PND	CHG
1	LEM175001	1	CDROM ASSY	MFC-L2700DW	FOR CAN/CHL/BRZ/PER	
1	LEV459001	1	CDROM ASSY	MFC-L2700DWR		CHG
1	LEM164001	1	CDROM ASSY	MFC-L2701D		
1	LEM164001	1	CDROM ASSY	MFC-L2701DW		
1	LEM181001	1	CDROM ASSY	MFC-L2703DW		
1	LEM179001	1	CDROM ASSY	MFC-L2705DW		
1	LEV458001	1	CDROM ASSY	MFC-L2720DW	FOR CEE	CHG
1	LEM177001	1	CDROM ASSY	MFC-L2720DW	FOR US	
1	LEV419001	1	CDROM ASSY	MFC-L2720DW	FOR GER/UK/CHE/ITA/IBR/FRA/BEL/NLD	CHG
1	LEM181001	1	CDROM ASSY	MFC-L2720DW	FOR ARL/NZ	
1	LEV459001	1	CDROM ASSY	MFC-L2720DW	FOR PND	CHG
1	LEM175001	1	CDROM ASSY	MFC-L2720DW	FOR CAN/ARG/BRZ	
1	LEV459001	1	CDROM ASSY	MFC-L2720DWR		CHG
1	LEV458001	1	CDROM ASSY	MFC-L2740DW	FOR CEE	CHG
1	LEM177001	1	CDROM ASSY	MFC-L2740DW	FOR US	
1	LEV419001	1	CDROM ASSY	MFC-L2740DW	FOR GER/UK/CHE/ITA/IBR/FRA/BEL/NLD	CHG
1	LEM181001	1	CDROM ASSY	MFC-L2740DW	FOR ARL/NZ	
1	LEM164001	1	CDROM ASSY	MFC-L2740DW	FOR SAF/IDN/THA/MYS/UAE/MENA	
1	LEM165001	1	CDROM ASSY	MFC-L2740DW	FOR TWN	
1	LEV459001	1	CDROM ASSY	MFC-L2740DW	FOR PND	CHG
1	LEM175001	1	CDROM ASSY	MFC-L2740DW	FOR CAN/CHL/BRZ/PER	
1	LEV459001	1	CDROM ASSY	MFC-L2740DWR		CHG
2	LT3841001	1	TELEPHONE LINE CORD CSA	MFC-7380		chg
2	LT3841001	1	TELEPHONE LINE CORD CSA	MFC-7480D		chg

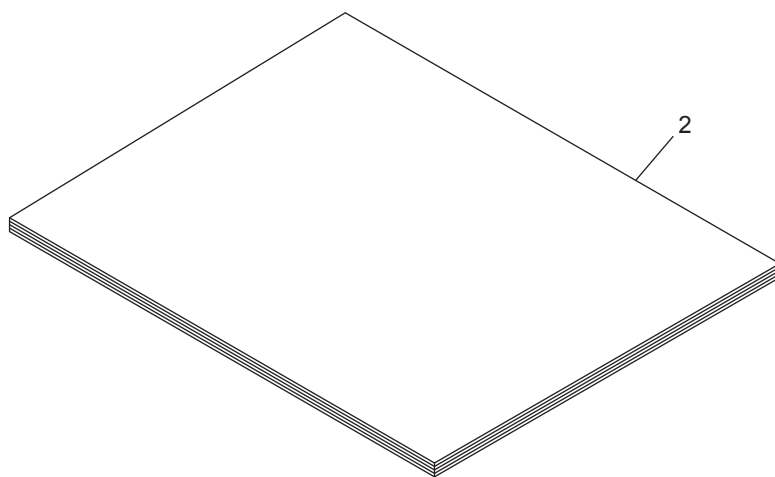
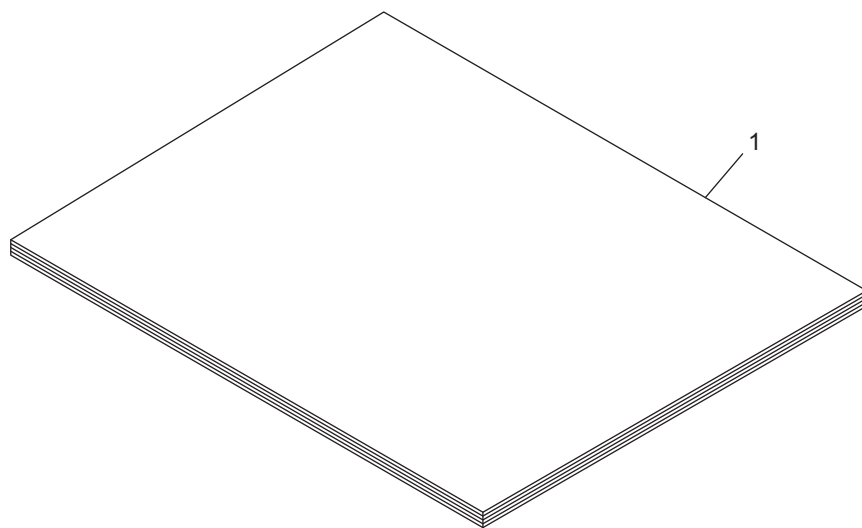
13. ACCESSORIES

REF No.	CODE	Q'TY	DESCRIPTION	MODEL	SPEC	REMARKS
2	LT3841001	1	TELEPHONE LINE CORD CSA	MFC-7880DN		chg
2	LG3077001	1	TELEPHONE LINE CORD CSA	MFC-L2680W		
2	LG3077001	1	TELEPHONE LINE CORD CSA	MFC-L2700D	FOR PHL/TWN/SAF/IDN/THA/ MYS/UA/MENA	
2	LT3878001	1	TELEPHONE LINE CORD KOR	MFC-L2700D	FOR KOR	add
2	UG4205001	1	TELEPHONE LINE CORD AUS	MFC-L2700DN	FOR GER	
2	LG3077001	1	TELEPHONE LINE CORD CSA	MFC-L2700DN	FOR UK/ISR/POL/CEE	
2	UG3627001	1	TELEPHONE LINE CORD FRA	MFC-L2700DN	FOR FRA	
2	UG3625001	1	TELEPHONE LINE CORD GER	MFC-L2700DN	FOR GER	
2	LG7202001	1	TELEPHONE LINE CORD SWI	MFC-L2700DN	FOR CHE	
2	LT2144001	1	TELEPHONE LINE CORD ITA	MFC-L2700DN	FOR ITA	
2	UG3626001	1	TELEPHONE LINE CORD UK6P	MFC-L2700DN	FOR UK	
2	LG3077001	1	TELEPHONE LINE CORD CSA	MFC-L2700DNR		
2	LG3077001	1	TELEPHONE LINE CORD CSA	MFC-L2700DW	FOR US/CAN/UK/NLD/ISR/CHL/POL/ BRZ/IBR/PER/CEE/PHL/TWN/SAF/ IDN/THA/KOR/MYS/UA/MENA	
2	LT3878001	1	TELEPHONE LINE CORD KOR	MFC-L2700DW	FOR KOR	add
2	LT3317001	1	TELEPHONE LINE CORD CSA2	MFC-L2700DW	FOR ARL	
2	UG3290001	1	TELEPHONE LINE CORD NZ	MFC-L2700DW	FOR NZ	
2	UG3625001	1	TELEPHONE LINE CORD GER	MFC-L2700DW	FOR GER	
2	UG3627001	1	TELEPHONE LINE CORD FRA	MFC-L2700DW	FOR FRA	
2	UG1575001	1	TELEPHONE LINE CORD BEL	MFC-L2700DW	FOR BEL	
2	LG7202001	1	TELEPHONE LINE CORD SWI	MFC-L2700DW	FOR CHE	
2	LT2144001	1	TELEPHONE LINE CORD ITA	MFC-L2700DW	FOR ITA	
2	LG5827001	1	TELEPHONE LINE CORD RJ45	MFC-L2700DW	FOR PND	
2	UG4205001	1	TELEPHONE LINE CORD AUS	MFC-L2700DW	FOR GER	
2	UG3626001	1	TELEPHONE LINE CORD UK6P	MFC-L2700DW	FOR UK	
2	LG3077001	1	TELEPHONE LINE CORD CSA	MFC-L2700DWR		
2	LG3077001	1	TELEPHONE LINE CORD CSA	MFC-L2701D		
2	LG3077001	1	TELEPHONE LINE CORD CSA	MFC-L2701DW		
2	LT3317001	1	TELEPHONE LINE CORD CSA2	MFC-L2703DW		
2	LG3077001	1	TELEPHONE LINE CORD CSA	MFC-L2705DW		
2	LG3077001	1	TELEPHONE LINE CORD CSA	MFC-L2720DW	FOR US/CAN/UK/ARG/BRZ/ FRA/BEL/NLD/CEE	
2	LT3317001	1	TELEPHONE LINE CORD CSA2	MFC-L2720DW	FOR ARL	
2	UG3290001	1	TELEPHONE LINE CORD NZ	MFC-L2720DW	FOR NZ	
2	UG3625001	1	TELEPHONE LINE CORD GER	MFC-L2720DW	FOR GER	
2	UG3627001	1	TELEPHONE LINE CORD FRA	MFC-L2720DW	FOR FRA/BEL/NLD	
2	UG1575001	1	TELEPHONE LINE CORD BEL	MFC-L2720DW	FOR FRA/BEL/NLD	
2	LG7202001	1	TELEPHONE LINE CORD SWI	MFC-L2720DW	FOR CHE	
2	LT2144001	1	TELEPHONE LINE CORD ITA	MFC-L2720DW	FOR ITA/IBR	
2	LG5827001	1	TELEPHONE LINE CORD RJ45	MFC-L2720DW	FOR PND	
2	UG4205001	1	TELEPHONE LINE CORD AUS	MFC-L2720DW	FOR GER	
2	UG3626001	1	TELEPHONE LINE CORD UK6P	MFC-L2720DW	FOR UK	
2	LG3077001	1	TELEPHONE LINE CORD CSA	MFC-L2720DWR		
2	LG3077001	1	TELEPHONE LINE CORD CSA	MFC-L2740DW	FOR US/CAN/UK/TWN/SAF/IDN/ THA/CHL/BRZ/FRA/BEL/NLD/MYS/ PER/UA/MENA/CEE	
2	LT3317001	1	TELEPHONE LINE CORD CSA2	MFC-L2740DW	FOR ARL	
2	UG3290001	1	TELEPHONE LINE CORD NZ	MFC-L2740DW	FOR NZ	
2	UG3625001	1	TELEPHONE LINE CORD GER	MFC-L2740DW	FOR GER	
2	UG3627001	1	TELEPHONE LINE CORD FRA	MFC-L2740DW	FOR FRA/BEL/NLD	
2	UG1575001	1	TELEPHONE LINE CORD BEL	MFC-L2740DW	FOR FRA/BEL/NLD	
2	LG7202001	1	TELEPHONE LINE CORD SWI	MFC-L2740DW	FOR CHE	
2	LT2144001	1	TELEPHONE LINE CORD ITA	MFC-L2740DW	FOR ITA/IBR	
2	LG5827001	1	TELEPHONE LINE CORD RJ45	MFC-L2740DW	FOR PND	
2	UG4205001	1	TELEPHONE LINE CORD AUS	MFC-L2740DW	FOR GER	
2	UG3626001	1	TELEPHONE LINE CORD UK6P	MFC-L2740DW	FOR UK	
2	LG3077001	1	TELEPHONE LINE CORD CSA	MFC-L2740DWR		
3	LV1378001	1	AC CORD BAG ASSY	DCP-L2500D	FOR GER/ITA/FRA/BEL/NLD/IBR/CEE	
3	LV1379001	1	AC CORD BAG ASSY	DCP-L2500D	FOR UK	
3	LV1380001	1	AC CORD BAG ASSY	DCP-L2500D	FOR CHE	
3	LG5717001	1	AC CORD BAG ASSY	DCP-L2500D	FOR PND	
3	LV1378001	1	AC CORD BAG ASSY	DCP-L2500DR		
3	LV1378001	1	AC CORD BAG ASSY	DCP-L2520DW	FOR GER/FRA/BEL/NLD/IBR/CEE	
3	LV1379001	1	AC CORD BAG ASSY	DCP-L2520DW	FOR UK	
3	LV1380001	1	AC CORD BAG ASSY	DCP-L2520DW	FOR CHE	
3	LG5717001	1	AC CORD BAG ASSY	DCP-L2520DW	FOR PND	
3	LV1378001	1	AC CORD BAG ASSY	DCP-L2520DWR		
3	LV1378001	1	AC CORD BAG ASSY	DCP-L2540DN	FOR GER/ITA/FRA/BEL/NLD/IBR/CEE	
3	LV1379001	1	AC CORD BAG ASSY	DCP-L2540DN	FOR UK	

13. ACCESSORIES

REF No.	CODE	Q'TY	DESCRIPTION	MODEL	SPEC	REMARKS
3	LG5717001	1	AC CORD BAG ASSY	DCP-L2540DN	FOR PND	
3	LV1378001	1	AC CORD BAG ASSY	DCP-L2540DNR		
3	LT0921001	1	AC CORD BAG ASSY	DCP-L2540DW	FOR ARG	
3	LG6426001	1	AC CORD BAG ASSY	DCP-L2540DW	FOR CHL	
3	LV1381001	1	AC CORD BAG ASSY	DCP-L2540DW	FOR PER	
3	LV1378001	1	AC CORD BAG ASSY	DCP-L2560DW	FOR GER/FRA/BEL/NLD/CEE	
3	LV1380001	1	AC CORD BAG ASSY	DCP-L2560DW	FOR CHE	
3	LG5717001	1	AC CORD BAG ASSY	DCP-L2560DW	FOR PND	
3	LV1378001	1	AC CORD BAG ASSY	DCP-L2560DWR		
3	LV1379001	1	AC CORD BAG ASSY	MFC-L2700DN	FOR UK	
3	LG7005001	1	AC CORD BAG ASSY	MFC-L2700DN	FOR ISR	
3	LV1380001	1	AC CORD BAG ASSY	MFC-L2700DN	FOR CHE	
3	LV1378001	1	AC CORD BAG ASSY	MFC-L2700DN	FOR GER/FRA/ITA/POL/CEE	
3	LV1378001	1	AC CORD BAG ASSY	MFC-L2700DNR		
3	LV1378001	1	AC CORD BAG ASSY	MFC-L2700DW	FOR GER/FRA/BEL/NLD/ITA/ POL/IBR/CEE	
3	LV1379001	1	AC CORD BAG ASSY	MFC-L2700DW	FOR UK	
3	LV1380001	1	AC CORD BAG ASSY	MFC-L2700DW	FOR CHE	
3	LG7005001	1	AC CORD BAG ASSY	MFC-L2700DW	FOR ISR	
3	LG6426001	1	AC CORD BAG ASSY	MFC-L2700DW	FOR CHL	
3	LG5717001	1	AC CORD BAG ASSY	MFC-L2700DW	FOR PND	
3	LV1381001	1	AC CORD BAG ASSY	MFC-L2700DW	FOR PER	
3	LV1378001	1	AC CORD BAG ASSY	MFC-L2700DWR		
3	LV1378001	1	AC CORD BAG ASSY	MFC-L2720DW	FOR GER/ITA/IBR/FRA/BEL/NLD/CEE	
3	LV1379001	1	AC CORD BAG ASSY	MFC-L2720DW	FOR UK	
3	LV1380001	1	AC CORD BAG ASSY	MFC-L2720DW	FOR CHE	
3	LT0921001	1	AC CORD BAG ASSY	MFC-L2720DW	FOR ARG	
3	LG5717001	1	AC CORD BAG ASSY	MFC-L2720DW	FOR PND	
3	LV1378001	1	AC CORD BAG ASSY	MFC-L2720DWR		
3	LV1378001	1	AC CORD BAG ASSY	MFC-L2740DW	FOR GER/ITA/IBR/FRA/BEL/NLD/CEE	
3	LV1379001	1	AC CORD BAG ASSY	MFC-L2740DW	FOR UK	
3	LV1380001	1	AC CORD BAG ASSY	MFC-L2740DW	FOR CHE	
3	LG6426001	1	AC CORD BAG ASSY	MFC-L2740DW	FOR CHL	
3	LG5717001	1	AC CORD BAG ASSY	MFC-L2740DW	FOR PND	
3	LV1381001	1	AC CORD BAG ASSY	MFC-L2740DW	FOR PER	
3	LV1378001	1	AC CORD BAG ASSY	MFC-L2740DWR		
4	LJB319001	1	PAPER FEEDING KIT SP			
5	XA9940051	1	TOUCH PEN			
6	LJ9803001	1	USB CABLE 2.0		FOR US/CAN/GER/UK/ARL/SW/ITA/ IBR/ISR/VNM/CHN/PHL/TWN/SAF/ NZ/IDN/THA/ARG/CHL/POL/BRZ /IND/RUS/FRA/BEL/NLD/PND/ MYS/PER/UAE/MENA/CEE	
6	LV1518001	1	USB CABLE 2.0 KOR		FOR KOR	add
7	LEJ288019	1	HANDSET	MFC-7380		
7	LEJ288019	1	HANDSET	MFC-7480D		
7	LEJ288020	1	HANDSET	MFC-7880DN		
8	LT1405006	1	HANDSET CURLED CORD	MFC-7380		
8	LT1405006	1	HANDSET CURLED CORD	MFC-7480D		
8	LT1405001	1	HANDSET CURLED CORD	MFC-7880DN		
(9)	LG6573001	1	TELEPHONE PLUG ARL	MFC-L2700DW	FOR ARL	
(9)	LG5830001	1	TELEPHONE PLUG SWE	MFC-L2700DW	FOR PND	
(9)	LG5829001	1	TELEPHONE PLUG FIN	MFC-L2700DW	FOR PND	
(9)	LG5828001	1	TELEPHONE PLUG DEN	MFC-L2700DW	FOR PND	
(9)	LG6573001	1	TELEPHONE PLUG ARL	MFC-L2703DW		
(9)	LG6573001	1	TELEPHONE PLUG ARL	MFC-L2720DW	FOR ARL	
(9)	LG5830001	1	TELEPHONE PLUG SWE	MFC-L2720DW	FOR PND	
(9)	LG5829001	1	TELEPHONE PLUG FIN	MFC-L2720DW	FOR PND	
(9)	LG5828001	1	TELEPHONE PLUG DEN	MFC-L2720DW	FOR PND	
(9)	LG6573001	1	TELEPHONE PLUG ARL	MFC-L2740DW	FOR ARL	
(9)	LG5830001	1	TELEPHONE PLUG SWE	MFC-L2740DW	FOR PND	
(9)	LG5829001	1	TELEPHONE PLUG FIN	MFC-L2740DW	FOR PND	
(9)	LG5828001	1	TELEPHONE PLUG DEN	MFC-L2740DW	FOR PND	

14. PRINTED MATERIALS



14. PRINTED MATERIALS

REF No.	CODE	Q'TY	DESCRIPTION	MODEL	SPEC	REMARKS
1	LEV446001	1	USER'S GUIDE (ENGLISH)	DCP-L2520DW	FOR US/CAN	chg
1	LEV446001	1	USER'S GUIDE (ENGLISH)	DCP-L2540DW	FOR US/CAN	chg
1	LEM603001	1	USER'S GUIDE (ENGLISH)	HL-L2380DW	FOR US/CAN	
1	LEV446001	1	USER'S GUIDE (ENGLISH)	MFC-L2700DW	FOR US/CAN	chg
1	LEM603001	1	USER'S GUIDE (ENGLISH)	MFC-L2720DW	FOR US/CAN	
1	LEM603001	1	USER'S GUIDE (ENGLISH)	MFC-L2740DW	FOR US/CAN	
1	LEV446001	1	USER'S GUIDE (ENGLISH)	MFC-L2705DW		chg
1	LEV446001	1	USER'S GUIDE (ENGLISH)	MFC-L2680W		
1	LEM597002	1	USER'S GUIDE (FRENCH)	DCP-L2520DW	FOR CAN	
1	LEM597002	1	USER'S GUIDE (FRENCH)	DCP-L2540DW	FOR CAN	
1	LEM603002	1	USER'S GUIDE (FRENCH)	HL-L2380DW	FOR CAN	
1	LEM597002	1	USER'S GUIDE (FRENCH)	MFC-L2700DW	FOR CAN	
1	LEM603002	1	USER'S GUIDE (FRENCH)	MFC-L2720DW	FOR CAN	
1	LEM603002	1	USER'S GUIDE (FRENCH)	MFC-L2740DW	FOR CAN	
1	LEV487003	1	USER'S GUIDE (GERMAN)	MFC-L2700DN	FOR GER/CHE	
1	LEV487003	1	USER'S GUIDE (GERMAN)	MFC-L2700DW	FOR GER/CHE	CHG
1	LEM604003	1	USER'S GUIDE (GERMAN)	MFC-L2720DW	FOR GER/CHE	
1	LEM604003	1	USER'S GUIDE (GERMAN)	MFC-L2740DW	FOR GER/CHE	
1	LEV487004	1	USER'S GUIDE (ENGLISH)	MFC-L2700DN	FOR UK/ISR	
1	LEV487004	1	USER'S GUIDE (ENGLISH)	MFC-L2700DW	FOR UK/ISR	CHG
1	LEM604004	1	USER'S GUIDE (ENGLISH)	MFC-L2720DW	FOR UK	
1	LEM604004	1	USER'S GUIDE (ENGLISH)	MFC-L2740DW	FOR UK	
1	LEV487005	1	USER'S GUIDE (FRENCH)	MFC-L2700DN	FOR FRA/CHE	
1	LEV487005	1	USER'S GUIDE (FRENCH)	MFC-L2700DW	FOR FRA/BEL/CHE	CHG
1	LEM604005	1	USER'S GUIDE (FRENCH)	MFC-L2720DW	FOR CHE/FRA/BEL/NLD	
1	LEM604005	1	USER'S GUIDE (FRENCH)	MFC-L2740DW	FOR CHE/FRA/BEL/NLD	
1	LEM599007	1	USER'S GUIDE	MFC-L2700DW	FOR PND	
1	LEM605007	1	USER'S GUIDE	MFC-L2720DW	FOR PND	
1	LEM605007	1	USER'S GUIDE	MFC-L2740DW	FOR PND	
1	LEM598009	1	USER'S GUIDE (DUTCH)	MFC-L2700DW	FOR BEL/NLD	
1	LEM604009	1	USER'S GUIDE (DUTCH)	MFC-L2720DW	FOR FRA/BEL/NLD	
1	LEM604009	1	USER'S GUIDE (DUTCH)	MFC-L2740DW	FOR FRA/BEL/NLD	
1	LEM599013	1	USER'S GUIDE (DANISH/FINNISH)	MFC-L2700DW	FOR PND	
1	LEM605013	1	USER'S GUIDE (DANISH/FINNISH)	MFC-L2720DW	FOR PND	
1	LEM605013	1	USER'S GUIDE (DANISH/FINNISH)	MFC-L2740DW	FOR PND	
1	LEM599015	1	USER'S GUIDE	MFC-L2700DW	FOR IBR	
1	LEM605015	1	USER'S GUIDE	MFC-L2720DW	FOR ITA/IBR	
1	LEM605015	1	USER'S GUIDE	MFC-L2740DW	FOR ITA/IBR	
1	LEV487016	1	USER'S GUIDE (ITALIAN)	MFC-L2700DN	FOR CHE/ITA	
1	LEV487016	1	USER'S GUIDE (ITALIAN)	MFC-L2700DW	FOR CHE/ITA	CHG
1	LEM604016	1	USER'S GUIDE (ITALIAN)	MFC-L2720DW	FOR CHE/ITA/IBR	
1	LEM604016	1	USER'S GUIDE (ITALIAN)	MFC-L2740DW	FOR CHE/ITA/IBR	
1	LEM601019	1	USER'S GUIDE (VIETNAMESE)	MFC-L2701D	FOR VNM	
1	LEM601019	1	USER'S GUIDE (VIETNAMESE)	MFC-L2701DW	FOR VNM	
1	LEV197020	1	USER'S GUIDE (CHINESE)	DCP-7080		
1	LEV197020	1	USER'S GUIDE (CHINESE)	DCP-7080D		
1	LEV197020	1	USER'S GUIDE (CHINESE)	DCP-7180DN		
1	LEV197020	1	USER'S GUIDE (CHINESE)	MFC-7380		
1	LEV197020	1	USER'S GUIDE (CHINESE)	MFC-7480D		
1	LEV197020	1	USER'S GUIDE (CHINESE)	MFC-7880DN		
1	LEM601023	1	USER'S GUIDE (TAIWANESE)	MFC-L2700D	FOR TWN	
1	LEM601023	1	USER'S GUIDE (TAIWANESE)	MFC-L2700DW	FOR TWN	
1	LEM607023	1	USER'S GUIDE (TAIWANESE)	MFC-L2740DW	FOR TWN	
1	LEM601025	1	USER'S GUIDE (TURKISH)	MFC-L2700D	FOR MENA	
1	LEM601025	1	USER'S GUIDE (TURKISH)	MFC-L2700DW	FOR MENA	
1	LEM607025	1	USER'S GUIDE (TURKISH)	MFC-L2740DW	FOR MENA	
1	LEM601029	1	USER'S GUIDE (INDONESIAN)	DCP-L2540DW	FOR IDN	
1	LEM601029	1	USER'S GUIDE (INDONESIAN)	MFC-L2700D	FOR IDN	
1	LEM601029	1	USER'S GUIDE (INDONESIAN)	MFC-L2700DW	FOR IDN	
1	LEM607029	1	USER'S GUIDE (INDONESIAN)	MFC-L2740DW	FOR IDN	
1	LEM601030	1	USER'S GUIDE (THAI)	DCP-L2540DW	FOR THA	
1	LEM601030	1	USER'S GUIDE (THAI)	MFC-L2700D	FOR THA	
1	LEM601030	1	USER'S GUIDE (THAI)	MFC-L2700DW	FOR THA	
1	LEM607030	1	USER'S GUIDE (THAI)	MFC-L2740DW	FOR THA	
1	LEM603031	1	USER'S GUIDE (SPANISH)	MFC-L2720DW	FOR ARG	
1	LEM597031	1	USER'S GUIDE (SPANISH)	DCP-L2540DW	FOR ARG/CHL/PER	
1	LEM597031	1	USER'S GUIDE (SPANISH)	MFC-L2700DW	FOR CHL/PER	
1	LEM603031	1	USER'S GUIDE (SPANISH)	MFC-L2740DW	FOR CHL/PER	
1	LEM809032	1	USER'S GUIDE (ARABIC)	MFC-L2700D	FOR UAE/MENA	
1	LEM809032	1	USER'S GUIDE (ARABIC)	MFC-L2700DW	FOR UAE/MENA	
1	LEM810032	1	USER'S GUIDE (ARABIC)	MFC-L2740DW	FOR UAE/MENA	
1	LEM600040	1	USER'S GUIDE (ENGLISH)	DCP-L2520D		

14. PRINTED MATERIALS

REF No.	CODE	Q'TY	DESCRIPTION	MODEL	SPEC	REMARKS
1	LEM600040	1	USER'S GUIDE (ENGLISH)	DCP-L2540DW	FOR PHL/THA/MYS	
1	LEM600040	1	USER'S GUIDE (ENGLISH)	MFC-L2700D	FOR PHL/THA/MYS	
1	LEM600040	1	USER'S GUIDE (ENGLISH)	DCP-L2541DW		
1	LEM600040	1	USER'S GUIDE (ENGLISH)	MFC-L2701D	FOR IND	
1	LEM600040	1	USER'S GUIDE (ENGLISH)	MFC-L2701DW	FOR IND	
1	LEM606040	1	USER'S GUIDE (ENGLISH)	MFC-L2740DW	FOR ARL/NZ/THA/MYS	
1	LEM600040	1	USER'S GUIDE (ENGLISH)	MFC-L2700DW	FOR ARL/PHL/NZ/THA/MYS	
1	LEM600040	1	USER'S GUIDE (ENGLISH)	MFC-L2703DW		
1	LEM606040	1	USER'S GUIDE (ENGLISH)	HL-L2380DW	FOR ARL/NZ	
1	LEM606040	1	USER'S GUIDE (ENGLISH)	MFC-L2720DW	FOR ARL/NZ	
1	LEM601041	1	USER'S GUIDE (ENGLISH)	MFC-L2700D	FOR SAF/UAE/MENA	
1	LEM601041	1	USER'S GUIDE (ENGLISH)	MFC-L2700DW	FOR SAF/UAE/MENA	
1	LEM607041	1	USER'S GUIDE (ENGLISH)	MFC-L2740DW	FOR SAF/UAE/MENA	
1	LEM597042	1	USER'S GUIDE (PORTUGUESE)	DCP-L2520DW	FOR BRZ	
1	LEM597042	1	USER'S GUIDE (PORTUGUESE)	DCP-L2540DW	FOR BRZ	
1	LEM597042	1	USER'S GUIDE (PORTUGUESE)	MFC-L2700DW	FOR BRZ	
1	LEM603042	1	USER'S GUIDE (PORTUGUESE)	MFC-L2720DW	FOR BRZ	
1	LEM603042	1	USER'S GUIDE (PORTUGUESE)	MFC-L2740DW	FOR BRZ	
1	LEM601044	1	USER'S GUIDE (KOREAN)	MFC-L2700D	FOR KOR	
1	LEM601044	1	USER'S GUIDE (KOREAN)	MFC-L2700DW	FOR KOR	
1	LEV487048	1	USER'S GUIDE (RUSIAN)	MFC-L2700DNR		
1	LEV487048	1	USER'S GUIDE (RUSIAN)	MFC-L2700DWR		CHG
1	LEM604048	1	USER'S GUIDE (RUSIAN)	MFC-L2720DWR		
1	LEM604048	1	USER'S GUIDE (RUSIAN)	MFC-L2740DWR		
2	LEV445001	1	QUICK SETUP GUIDE (ENGLISH)	DCP-L2520DW	FOR US/CAN	chg
2	LEV445001	1	QUICK SETUP GUIDE (ENGLISH)	DCP-L2540DW	FOR US/CAN	chg
2	LEM592001	1	QUICK SETUP GUIDE (ENGLISH)	HL-L2380DW	FOR US/CAN	
2	LEV445001	1	QUICK SETUP GUIDE (ENGLISH)	MFC-L2700DW	FOR US/CAN	chg
2	LEM592001	1	QUICK SETUP GUIDE (ENGLISH)	MFC-L2720DW	FOR US/CAN	
2	LEM592001	1	QUICK SETUP GUIDE (ENGLISH)	MFC-L2740DW	FOR US/CAN	
2	LEV445001	1	QUICK SETUP GUIDE (ENGLISH)	MFC-L2705DW		chg
2	LEV445001	1	QUICK SETUP GUIDE (ENGLISH)	MFC-L2680W		
2	LEM587002	1	QUICK SETUP GUIDE (FRENCH)	DCP-L2520DW	FOR CAN	
2	LEM587002	1	QUICK SETUP GUIDE (FRENCH)	DCP-L2540DW	FOR CAN	
2	LEM592002	1	QUICK SETUP GUIDE (FRENCH)	HL-L2380DW	FOR CAN	
2	LEM587002	1	QUICK SETUP GUIDE (FRENCH)	MFC-L2700DW	FOR CAN	
2	LEM592002	1	QUICK SETUP GUIDE (FRENCH)	MFC-L2720DW	FOR CAN	
2	LEM592002	1	QUICK SETUP GUIDE (FRENCH)	MFC-L2740DW	FOR CAN	
2	LEV485003	1	QUICK SETUP GUIDE (GERMAN)	DCP-L2500D	FOR GER/CHE	CHG
2	LEV485003	1	QUICK SETUP GUIDE (GERMAN)	DCP-L2520DW	FOR GER/CHE	CHG
2	LEV485003	1	QUICK SETUP GUIDE (GERMAN)	DCP-L2540DN	FOR GER	CHG
2	LEM594003	1	QUICK SETUP GUIDE (GERMAN)	DCP-L2560DW	FOR GER/CHE	
2	LEV485003	1	QUICK SETUP GUIDE (GERMAN)	MFC-L2700DN	FOR GER/CHE	
2	LEV485003	1	QUICK SETUP GUIDE (GERMAN)	MFC-L2700DW	FOR GER/CHE	CHG
2	LEM594003	1	QUICK SETUP GUIDE (GERMAN)	MFC-L2720DW	FOR GER/CHE	
2	LEM594003	1	QUICK SETUP GUIDE (GERMAN)	MFC-L2740DW	FOR GER/CHE	
2	LEV491004	1	QUICK SETUP GUIDE (ENGLISH)	DCP-L2500D	FOR UK/CEE	CHG
2	LEV491004	1	QUICK SETUP GUIDE (ENGLISH)	DCP-L2520D		CHG
2	LEV491004	1	QUICK SETUP GUIDE (ENGLISH)	DCP-L2520DW	FOR UK/CEE	CHG
2	LEV491004	1	QUICK SETUP GUIDE (ENGLISH)	DCP-L2540DN	FOR UK/CEE	CHG
2	LEV491004	1	QUICK SETUP GUIDE (ENGLISH)	DCP-L2540DW	FOR PHL/THA/MYS	CHG
2	LEV491004	1	QUICK SETUP GUIDE (ENGLISH)	DCP-L2541DW		CHG
2	LEM593004	1	QUICK SETUP GUIDE (ENGLISH)	DCP-L2560DW	FOR CEE	
2	LEM593004	1	QUICK SETUP GUIDE (ENGLISH)	HL-L2380DW	FOR ARL/NZ	
2	LEV491004	1	QUICK SETUP GUIDE (ENGLISH)	MFC-L2700D	FOR PHL/SAF/THA/MYS/UAE/MENA	CHG
2	LEV491004	1	QUICK SETUP GUIDE (ENGLISH)	MFC-L2700DN	FOR UK/ISR/CEE	
2	LEV491004	1	QUICK SETUP GUIDE (ENGLISH)	MFC-L2700DW	FOR UK/ARL/ISR/PHL/SAF/ NZ/THA/CEE/MYS/UAE/MENA	CHG
2	LEV491004	1	QUICK SETUP GUIDE (ENGLISH)	MFC-L2701D	FOR IND	CHG
2	LEV491004	1	QUICK SETUP GUIDE (ENGLISH)	MFC-L2701DW	FOR IND	CHG
2	LEV491004	1	QUICK SETUP GUIDE (ENGLISH)	MFC-L2703DW		CHG
2	LEM593004	1	QUICK SETUP GUIDE (ENGLISH)	MFC-L2720DW	FOR UK/ARL/NZ/CEE	
2	LEM593004	1	QUICK SETUP GUIDE (ENGLISH)	MFC-L2740DW	FOR UK/ARL/SAF/NZ/THA/MYS/ UAE/MENA/CEE	
2	LEV485005	1	QUICK SETUP GUIDE (FRENCH)	DCP-L2500D	FOR CHE/FRA/BEL/NLD	CHG
2	LEV485005	1	QUICK SETUP GUIDE (FRENCH)	DCP-L2520DW	FOR CHE/FRA/BEL/NLD	CHG
2	LEV485005	1	QUICK SETUP GUIDE (FRENCH)	DCP-L2540DN	FOR FRA/BEL/NLD	CHG
2	LEM594005	1	QUICK SETUP GUIDE (FRENCH)	DCP-L2560DW	FOR CHE/FRA/BEL/NLD	
2	LEV485005	1	QUICK SETUP GUIDE (FRENCH)	MFC-L2700DN	FOR FRA/CHE	
2	LEV485005	1	QUICK SETUP GUIDE (FRENCH)	MFC-L2700DW	FOR FRA/BEL/CHE	CHG
2	LEM594005	1	QUICK SETUP GUIDE (FRENCH)	MFC-L2720DW	FOR CHE/FRA/BEL/NLD	
2	LEM594005	1	QUICK SETUP GUIDE (FRENCH)	MFC-L2740DW	FOR CHE/FRA/BEL/NLD	

14. PRINTED MATERIALS

REF No.	CODE	QTY	DESCRIPTION	MODEL	SPEC	REMARKS
2	LEM589007	1	QUICK SETUP GUIDE (NORWEGIAN)	DCP-L2500D	FOR PND	
2	LEM589007	1	QUICK SETUP GUIDE (NORWEGIAN)	DCP-L2520DW	FOR PND	
2	LEM589007	1	QUICK SETUP GUIDE (NORWEGIAN)	DCP-L2540DN	FOR PND	
2	LEM594007	1	QUICK SETUP GUIDE (NORWEGIAN)	DCP-L2560DW	FOR PND	
2	LEM589007	1	QUICK SETUP GUIDE (NORWEGIAN)	MFC-L2700DW	FOR PND	
2	LEM594007	1	QUICK SETUP GUIDE (NORWEGIAN)	MFC-L2720DW	FOR PND	
2	LEM594007	1	QUICK SETUP GUIDE (NORWEGIAN)	MFC-L2740DW	FOR PND	
2	LEM589009	1	QUICK SETUP GUIDE (DUTCH)	DCP-L2500D	FOR FRA/BEL/NLD	
2	LEM589009	1	QUICK SETUP GUIDE (DUTCH)	DCP-L2520DW	FOR FRA/BEL/NLD	
2	LEM589009	1	QUICK SETUP GUIDE (DUTCH)	DCP-L2540DN	FOR FRA/BEL/NLD	
2	LEM594009	1	QUICK SETUP GUIDE (DUTCH)	DCP-L2560DW	FOR FRA/BEL/NLD	
2	LEM589009	1	QUICK SETUP GUIDE (DUTCH)	MFC-L2700DW	FOR BEL/NLD	
2	LEM594009	1	QUICK SETUP GUIDE (DUTCH)	MFC-L2720DW	FOR FRA/BEL/NLD	
2	LEM594009	1	QUICK SETUP GUIDE (DUTCH)	MFC-L2740DW	FOR FRA/BEL/NLD	
2	LEM589012	1	QUICK SETUP GUIDE (FINNISH)	DCP-L2500D	FOR PND	
2	LEM589012	1	QUICK SETUP GUIDE (FINNISH)	DCP-L2520DW	FOR PND	
2	LEM589012	1	QUICK SETUP GUIDE (FINNISH)	DCP-L2540DN	FOR PND	
2	LEM594012	1	QUICK SETUP GUIDE (FINNISH)	DCP-L2560DW	FOR PND	
2	LEM589012	1	QUICK SETUP GUIDE (FINNISH)	MFC-L2700DW	FOR PND	
2	LEM594012	1	QUICK SETUP GUIDE (FINNISH)	MFC-L2720DW	FOR PND	
2	LEM594012	1	QUICK SETUP GUIDE (FINNISH)	MFC-L2740DW	FOR PND	
2	LEM589013	1	QUICK SETUP GUIDE (DANISH)	DCP-L2500D	FOR PND	
2	LEM589013	1	QUICK SETUP GUIDE (DANISH)	DCP-L2520DW	FOR PND	
2	LEM589013	1	QUICK SETUP GUIDE (DANISH)	DCP-L2540DN	FOR PND	
2	LEM594013	1	QUICK SETUP GUIDE (DANISH)	DCP-L2560DW	FOR PND	
2	LEM589013	1	QUICK SETUP GUIDE (DANISH)	MFC-L2700DW	FOR PND	
2	LEM594013	1	QUICK SETUP GUIDE (DANISH)	MFC-L2720DW	FOR PND	
2	LEM594013	1	QUICK SETUP GUIDE (DANISH)	MFC-L2740DW	FOR PND	
2	LEM589015	1	QUICK SETUP GUIDE (SPANISH)	DCP-L2500D	FOR IBR	
2	LEM589015	1	QUICK SETUP GUIDE (SPANISH)	DCP-L2520DW	FOR IBR	
2	LEM589015	1	QUICK SETUP GUIDE (SPANISH)	DCP-L2540DN	FOR IBR	
2	LEM589015	1	QUICK SETUP GUIDE (SPANISH)	MFC-L2700DW	FOR IBR	
2	LEM594015	1	QUICK SETUP GUIDE (SPANISH)	MFC-L2720DW	FOR ITA/IBR	
2	LEM594015	1	QUICK SETUP GUIDE (SPANISH)	MFC-L2740DW	FOR ITA/IBR	
2	LEV485016	1	QUICK SETUP GUIDE (ITALIAN)	DCP-L2500D	FOR CHE/ITA	CHG
2	LEV485016	1	QUICK SETUP GUIDE (ITALIAN)	DCP-L2520DW	FOR CHE	CHG
2	LEV485016	1	QUICK SETUP GUIDE (ITALIAN)	DCP-L2540DN	FOR ITA	CHG
2	LEM594016	1	QUICK SETUP GUIDE (ITALIAN)	DCP-L2560DW	FOR CHE	
2	LEV485016	1	QUICK SETUP GUIDE (ITALIAN)	MFC-L2700DN	FOR CHE/ITA	
2	LEV485016	1	QUICK SETUP GUIDE (ITALIAN)	MFC-L2700DW	FOR CHE/ITA	CHG
2	LEM594016	1	QUICK SETUP GUIDE (ITALIAN)	MFC-L2720DW	FOR CHE/ITA/IBR	
2	LEM594016	1	QUICK SETUP GUIDE (ITALIAN)	MFC-L2740DW	FOR CHE/ITA/IBR	
2	LEM589018	1	QUICK SETUP GUIDE	DCP-L2500D	FOR IBR	
2	LEM589018	1	QUICK SETUP GUIDE	DCP-L2520DW	FOR IBR	
2	LEM589018	1	QUICK SETUP GUIDE	DCP-L2540DN	FOR IBR	
2	LEM589018	1	QUICK SETUP GUIDE	MFC-L2700DW	FOR IBR	
2	LEM594018	1	QUICK SETUP GUIDE	MFC-L2720DW	FOR ITA/IBR	
2	LEM594018	1	QUICK SETUP GUIDE	MFC-L2740DW	FOR ITA/IBR	
2	LEM590019	1	QUICK SETUP GUIDE (VETNAMESE)	MFC-L2701D	FOR VNM	
2	LEM590019	1	QUICK SETUP GUIDE (VETNAMESE)	MFC-L2701DW	FOR VNM	
2	LEM590020	1	QUICK SETUP GUIDE (CHINESE)	DCP-7080		
2	LEM590020	1	QUICK SETUP GUIDE (CHINESE)	DCP-7080D		
2	LEM590020	1	QUICK SETUP GUIDE (CHINESE)	DCP-7180DN		
2	LEM590020	1	QUICK SETUP GUIDE (CHINESE)	MFC-7380		
2	LEM590020	1	QUICK SETUP GUIDE (CHINESE)	MFC-7480D		
2	LEM590020	1	QUICK SETUP GUIDE (CHINESE)	MFC-7880DN		
2	LEM590023	1	QUICK SETUP GUIDE (TAIWANESE)	MFC-L2700D	FOR TWN	
2	LEM590023	1	QUICK SETUP GUIDE (TAIWANESE)	MFC-L2700DW	FOR TWN	
2	LEM595023	1	QUICK SETUP GUIDE (TAIWANESE)	MFC-L2740DW	FOR TWN	
2	LEM590025	1	QUICK SETUP GUIDE (TURKISH)	MFC-L2700D	FOR MENA	
2	LEM590025	1	QUICK SETUP GUIDE (TURKISH)	MFC-L2700DW	FOR MENA	
2	LEM595025	1	QUICK SETUP GUIDE (TURKISH)	MFC-L2740DW	FOR MENA	
2	LEM589026	1	QUICK SETUP GUIDE (SWEDISH)	DCP-L2500D	FOR PND	
2	LEM589026	1	QUICK SETUP GUIDE (SWEDISH)	DCP-L2520DW	FOR PND	
2	LEM589026	1	QUICK SETUP GUIDE (SWEDISH)	DCP-L2540DN	FOR PND	
2	LEM594026	1	QUICK SETUP GUIDE (SWEDISH)	DCP-L2560DW	FOR PND	
2	LEM589026	1	QUICK SETUP GUIDE (SWEDISH)	MFC-L2700DW	FOR PND	
2	LEM594026	1	QUICK SETUP GUIDE (SWEDISH)	MFC-L2720DW	FOR PND	
2	LEM594026	1	QUICK SETUP GUIDE (SWEDISH)	MFC-L2740DW	FOR PND	
2	LEM590029	1	QUICK SETUP GUIDE (INDONESIAN)	DCP-L2540DW	FOR IDN	
2	LEM590029	1	QUICK SETUP GUIDE (INDONESIAN)	MFC-L2700D	FOR IDN	
2	LEM590029	1	QUICK SETUP GUIDE (INDONESIAN)	MFC-L2700DW	FOR IDN	

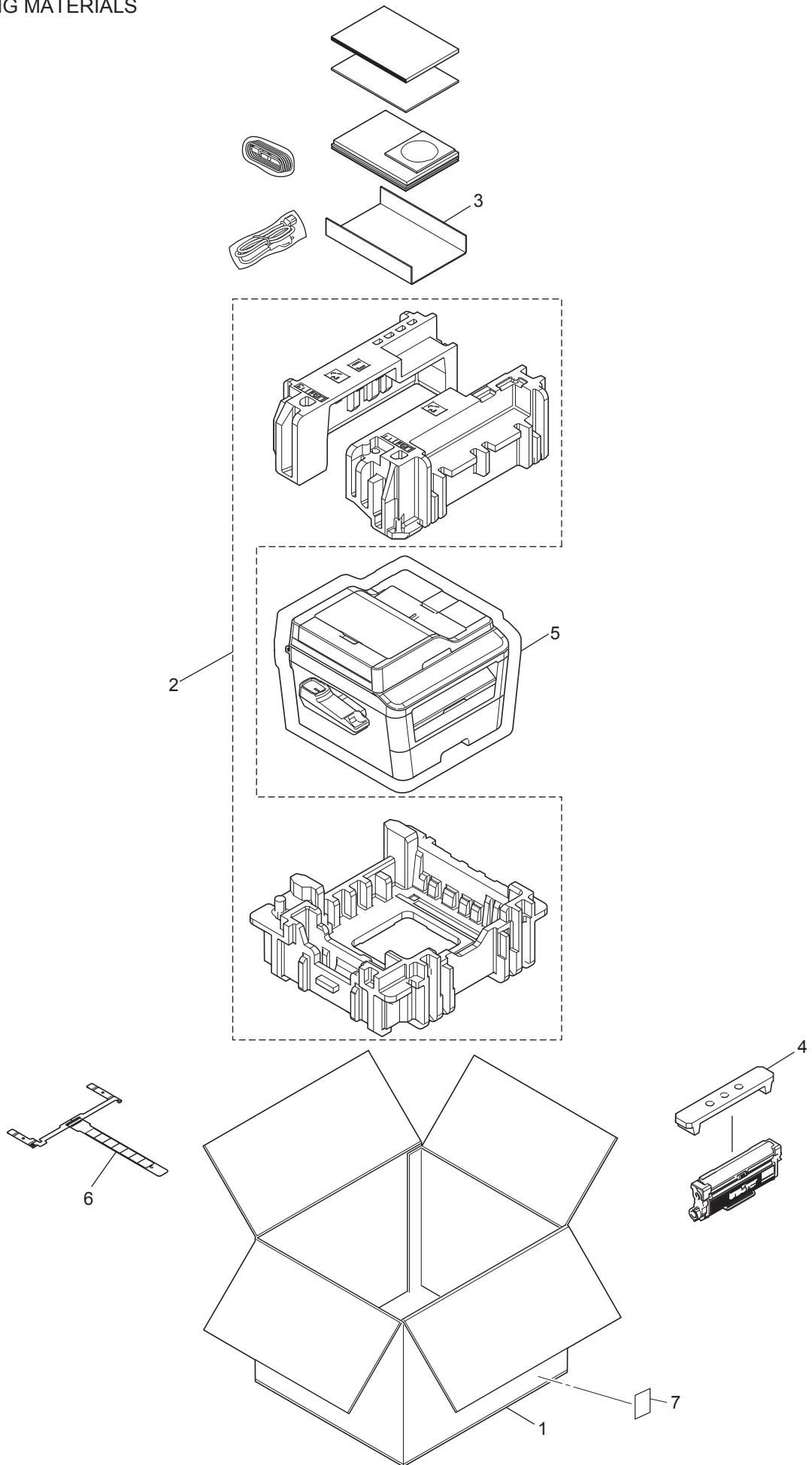
14. PRINTED MATERIALS

REF No.	CODE	QTY	DESCRIPTION	MODEL	SPEC	REMARKS
2	LEM595029	1	QUICK SETUP GUIDE (INDONESIAN)	MFC-L2740DW	FOR IDN	
2	LEM590030	1	QUICK SETUP GUIDE (THAI)	DCP-L2540DW	FOR THA	
2	LEM590030	1	QUICK SETUP GUIDE (THAI)	MFC-L2700D	FOR THA	
2	LEM590030	1	QUICK SETUP GUIDE (THAI)	MFC-L2700DW	FOR THA	
2	LEM595030	1	QUICK SETUP GUIDE (THAI)	MFC-L2740DW	FOR THA	
2	LEM587031	1	QUICK SETUP GUIDE (SPANISH)	DCP-L2540DW	FOR ARG/CHL/PER	
2	LEM587031	1	QUICK SETUP GUIDE (SPANISH)	MFC-L2700DW	FOR CHL/PER	
2	LEM592031	1	QUICK SETUP GUIDE (SPANISH)	MFC-L2720DW	FOR ARG	
2	LEM592031	1	QUICK SETUP GUIDE (SPANISH)	MFC-L2740DW	FOR CHL/PER	
2	LEM874032	1	QUICK SETUP GUIDE (ARABIC)	MFC-L2700D	FOR UAE/MENA	
2	LEM874032	1	QUICK SETUP GUIDE (ARABIC)	MFC-L2700DW	FOR UAE/MENA	
2	LEM875032	1	QUICK SETUP GUIDE (ARABIC)	MFC-L2740DW	FOR UAE/MENA	
2	LEV485033	1	QUICK SETUP GUIDE (ROMANIAN)	DCP-L2500D	FOR CEE	CHG
2	LEV485033	1	QUICK SETUP GUIDE (ROMANIAN)	DCP-L2520DW	FOR CEE	CHG
2	LEV485033	1	QUICK SETUP GUIDE (ROMANIAN)	DCP-L2540DN	FOR CEE	CHG
2	LEM594033	1	QUICK SETUP GUIDE (ROMANIAN)	DCP-L2560DW	FOR CEE	
2	LEV485033	1	QUICK SETUP GUIDE (ROMANIAN)	MFC-L2700DN	FOR CEE	
2	LEV485033	1	QUICK SETUP GUIDE (ROMANIAN)	MFC-L2700DW	FOR CEE	CHG
2	LEM594033	1	QUICK SETUP GUIDE (ROMANIAN)	MFC-L2720DW	FOR CEE	
2	LEM594033	1	QUICK SETUP GUIDE (ROMANIAN)	MFC-L2740DW	FOR CEE	
2	LEV485034	1	QUICK SETUP GUIDE (SLOVAK)	DCP-L2500D	FOR CEE	CHG
2	LEV485034	1	QUICK SETUP GUIDE (SLOVAK)	DCP-L2520DW	FOR CEE	CHG
2	LEV485034	1	QUICK SETUP GUIDE (SLOVAK)	DCP-L2540DN	FOR CEE	CHG
2	LEM594034	1	QUICK SETUP GUIDE (SLOVAK)	DCP-L2560DW	FOR CEE	
2	LEV485034	1	QUICK SETUP GUIDE (SLOVAK)	MFC-L2700DN	FOR CEE	
2	LEV485034	1	QUICK SETUP GUIDE (SLOVAK)	MFC-L2700DW	FOR CEE	CHG
2	LEM594034	1	QUICK SETUP GUIDE (SLOVAK)	MFC-L2720DW	FOR CEE	
2	LEM594034	1	QUICK SETUP GUIDE (SLOVAK)	MFC-L2740DW	FOR CEE	
2	LEV485037	1	QUICK SETUP GUIDE (CZECH)	DCP-L2500D	FOR CEE	CHG
2	LEV485037	1	QUICK SETUP GUIDE (CZECH)	DCP-L2520DW	FOR CEE	CHG
2	LEV485037	1	QUICK SETUP GUIDE (CZECH)	DCP-L2540DN	FOR CEE	CHG
2	LEM594037	1	QUICK SETUP GUIDE (CZECH)	DCP-L2560DW	FOR CEE	
2	LEV485037	1	QUICK SETUP GUIDE (CZECH)	MFC-L2700DN	FOR CEE	
2	LEV485037	1	QUICK SETUP GUIDE (CZECH)	MFC-L2700DW	FOR CEE	CHG
2	LEM594037	1	QUICK SETUP GUIDE (CZECH)	MFC-L2720DW	FOR CEE	
2	LEM594037	1	QUICK SETUP GUIDE (CZECH)	MFC-L2740DW	FOR CEE	
2	LEV485038	1	QUICK SETUP GUIDE (HUNGARIAN)	DCP-L2500D	FOR CEE	CHG
2	LEV485038	1	QUICK SETUP GUIDE (HUNGARIAN)	DCP-L2520DW	FOR CEE	CHG
2	LEV485038	1	QUICK SETUP GUIDE (HUNGARIAN)	DCP-L2540DN	FOR CEE	CHG
2	LEM594038	1	QUICK SETUP GUIDE (HUNGARIAN)	DCP-L2560DW	FOR CEE	
2	LEV485038	1	QUICK SETUP GUIDE (HUNGARIAN)	MFC-L2700DN	FOR CEE	
2	LEV485038	1	QUICK SETUP GUIDE (HUNGARIAN)	MFC-L2700DW	FOR CEE	CHG
2	LEM594038	1	QUICK SETUP GUIDE (HUNGARIAN)	MFC-L2720DW	FOR CEE	
2	LEM594038	1	QUICK SETUP GUIDE (HUNGARIAN)	MFC-L2740DW	FOR CEE	
2	LEV485039	1	QUICK SETUP GUIDE (POLISH)	DCP-L2500D	FOR CEE	CHG
2	LEV485039	1	QUICK SETUP GUIDE (POLISH)	DCP-L2520DW	FOR CEE	CHG
2	LEV485039	1	QUICK SETUP GUIDE (POLISH)	DCP-L2540DN	FOR CEE	CHG
2	LEM594039	1	QUICK SETUP GUIDE (POLISH)	DCP-L2560DW	FOR CEE	
2	LEV485039	1	QUICK SETUP GUIDE (POLISH)	MFC-L2700DN	FOR POL/CEE	
2	LEV485039	1	QUICK SETUP GUIDE (POLISH)	MFC-L2700DW	FOR POL/CEE	CHG
2	LEM594039	1	QUICK SETUP GUIDE (POLISH)	MFC-L2720DW	FOR CEE	
2	LEM594039	1	QUICK SETUP GUIDE (POLISH)	MFC-L2740DW	FOR CEE	
2	LEM587042	1	QUICK SETUP GUIDE (PORTUGUESE)	DCP-L2520DW	FOR BRZ	
2	LEM587042	1	QUICK SETUP GUIDE (PORTUGUESE)	DCP-L2540DW	FOR BRZ	
2	LEM587042	1	QUICK SETUP GUIDE (PORTUGUESE)	MFC-L2700DW	FOR BRZ	
2	LEM592042	1	QUICK SETUP GUIDE (PORTUGUESE)	MFC-L2720DW	FOR BRZ	
2	LEM592042	1	QUICK SETUP GUIDE (PORTUGUESE)	MFC-L2740DW	FOR BRZ	
2	LEM590044	1	QUICK SETUP GUIDE (KOREAN)	MFC-L2700D	FOR KOR	
2	LEM590044	1	QUICK SETUP GUIDE (KOREAN)	MFC-L2700DW	FOR KOR	
2	LEV485048	1	QUICK SETUP GUIDE (RUSSIAN)	DCP-L2500DR		CHG
2	LEV485048	1	QUICK SETUP GUIDE (RUSSIAN)	DCP-L2520DWR		CHG
2	LEV485048	1	QUICK SETUP GUIDE (RUSSIAN)	DCP-L2540DNR		CHG
2	LEM594048	1	QUICK SETUP GUIDE (RUSSIAN)	DCP-L2560DWR		
2	LEV485048	1	QUICK SETUP GUIDE (RUSSIAN)	MFC-L2700DNR		
2	LEV485048	1	QUICK SETUP GUIDE (RUSSIAN)	MFC-L2700DWR		CHG
2	LEM594048	1	QUICK SETUP GUIDE (RUSSIAN)	MFC-L2720DWR		
2	LEM594048	1	QUICK SETUP GUIDE (RUSSIAN)	MFC-L2740DWR		
2	LEV485050	1	QUICK SETUP GUIDE (CROATIAN)	DCP-L2500D	FOR CEE	CHG
2	LEV485050	1	QUICK SETUP GUIDE (CROATIAN)	DCP-L2520DW	FOR CEE	CHG
2	LEV485050	1	QUICK SETUP GUIDE (CROATIAN)	DCP-L2540DN	FOR CEE	CHG
2	LEM594050	1	QUICK SETUP GUIDE (CROATIAN)	DCP-L2560DW	FOR CEE	
2	LEV485050	1	QUICK SETUP GUIDE (CROATIAN)	MFC-L2700DN	FOR CEE	

14. PRINTED MATERIALS

REF No.	CODE	Q'TY	DESCRIPTION	MODEL	SPEC	REMARKS
2	LEV485050	1	QUICK SETUP GUIDE (CROATIAN)	MFC-L2700DW	FOR CEE	CHG
2	LEM594050	1	QUICK SETUP GUIDE (CROATIAN)	MFC-L2720DW	FOR CEE	
2	LEM594050	1	QUICK SETUP GUIDE (CROATIAN)	MFC-L2740DW	FOR CEE	
2	LEV485059	1	QUICK SETUP GUIDE (BULGARIAN)	DCP-L2500D	FOR CEE	CHG
2	LEV485059	1	QUICK SETUP GUIDE (BULGARIAN)	DCP-L2520DW	FOR CEE	CHG
2	LEV485059	1	QUICK SETUP GUIDE (BULGARIAN)	DCP-L2540DN	FOR CEE	CHG
2	LEM594059	1	QUICK SETUP GUIDE (BULGARIAN)	DCP-L2560DW	FOR CEE	
2	LEV485059	1	QUICK SETUP GUIDE (BULGARIAN)	MFC-L2700DN	FOR CEE	
2	LEV485059	1	QUICK SETUP GUIDE (BULGARIAN)	MFC-L2700DW	FOR CEE	CHG
2	LEM594059	1	QUICK SETUP GUIDE (BULGARIAN)	MFC-L2720DW	FOR CEE	
2	LEM594059	1	QUICK SETUP GUIDE (BULGARIAN)	MFC-L2740DW	FOR CEE	
2	LEV485060	1	QUICK SETUP GUIDE (BELARUSIAN)	DCP-L2500DR		CHG
2	LEV485060	1	QUICK SETUP GUIDE (BELARUSIAN)	DCP-L2520DWR		CHG
2	LEV485060	1	QUICK SETUP GUIDE (BELARUSIAN)	DCP-L2540DNR		CHG
2	LEM594060	1	QUICK SETUP GUIDE (BELARUSIAN)	DCP-L2560DWR		
2	LEV485060	1	QUICK SETUP GUIDE (BELARUSIAN)	MFC-L2700DNR		
2	LEV485060	1	QUICK SETUP GUIDE (BELARUSIAN)	MFC-L2700DWR		CHG
2	LEM594060	1	QUICK SETUP GUIDE (BELARUSIAN)	MFC-L2720DWR		
2	LEM594060	1	QUICK SETUP GUIDE (BELARUSIAN)	MFC-L2740DWR		
2	LEV485061	1	QUICK SETUP GUIDE (KAZAKH)	DCP-L2500DR		CHG
2	LEV485061	1	QUICK SETUP GUIDE (KAZAKH)	DCP-L2520DWR		CHG
2	LEV485061	1	QUICK SETUP GUIDE (KAZAKH)	DCP-L2540DNR		CHG
2	LEM594061	1	QUICK SETUP GUIDE (KAZAKH)	DCP-L2560DWR		
2	LEV485061	1	QUICK SETUP GUIDE (KAZAKH)	MFC-L2700DNR		
2	LEV485061	1	QUICK SETUP GUIDE (KAZAKH)	MFC-L2700DWR		CHG
2	LEM594061	1	QUICK SETUP GUIDE (KAZAKH)	MFC-L2720DWR		
2	LEM594061	1	QUICK SETUP GUIDE (KAZAKH)	MFC-L2740DWR		
2	LEV485062	1	QUICK SETUP GUIDE (SLOVENIAN)	DCP-L2500D	FOR CEE	CHG
2	LEV485062	1	QUICK SETUP GUIDE (SLOVENIAN)	DCP-L2520DW	FOR CEE	CHG
2	LEV485062	1	QUICK SETUP GUIDE (SLOVENIAN)	DCP-L2540DN	FOR CEE	CHG
2	LEM594062	1	QUICK SETUP GUIDE (SLOVENIAN)	DCP-L2560DW	FOR CEE	
2	LEV485062	1	QUICK SETUP GUIDE (SLOVENIAN)	MFC-L2700DN	FOR CEE	
2	LEV485062	1	QUICK SETUP GUIDE (SLOVENIAN)	MFC-L2700DW	FOR CEE	CHG
2	LEM594062	1	QUICK SETUP GUIDE (SLOVENIAN)	MFC-L2720DW	FOR CEE	
2	LEM594062	1	QUICK SETUP GUIDE (SLOVENIAN)	MFC-L2740DW	FOR CEE	
2	LEV485063	1	QUICK SETUP GUIDE (UKRAINIAN)	DCP-L2500DR		CHG
2	LEV485063	1	QUICK SETUP GUIDE (UKRAINIAN)	DCP-L2520DWR		CHG
2	LEV485063	1	QUICK SETUP GUIDE (UKRAINIAN)	DCP-L2540DNR		CHG
2	LEM594063	1	QUICK SETUP GUIDE (UKRAINIAN)	DCP-L2560DWR		
2	LEV485063	1	QUICK SETUP GUIDE (UKRAINIAN)	MFC-L2700DNR		
2	LEV485063	1	QUICK SETUP GUIDE (UKRAINIAN)	MFC-L2700DWR		CHG
2	LEM594063	1	QUICK SETUP GUIDE (UKRAINIAN)	MFC-L2720DWR		
2	LEM594063	1	QUICK SETUP GUIDE (UKRAINIAN)	MFC-L2740DWR		

15. PACKING MATERIALS



15. PACKING MATERIALS

REF No.	CODE	Q'TY	DESCRIPTION	MODEL	SPEC	REMARKS
1	LEM368001	1	CARTON	DCP-7080		
1	LEM371001	1	CARTON	DCP-7080D		
1	LEM374001	1	CARTON	DCP-7180DN		
1	LEM457001	1	CARTON	DCP-L2500D	FOR GER/CHE/FRA/BEL/NLD	
1	LEM454001	1	CARTON	DCP-L2500D	FOR UK/PND/CEE	
1	LEM460001	1	CARTON	DCP-L2500D	FOR ITA/IBR	
1	LEM463001	1	CARTON	DCP-L2500DR		
1	LEV319001	1	CARTON	DCP-L2520D	FOR IND	
1	LEM522001	1	CARTON	DCP-L2520D	FOR MYS	
1	LEM389001	1	CARTON	DCP-L2520DW	FOR US	
1	LEM392001	1	CARTON	DCP-L2520DW	FOR CAN	
1	LEM469001	1	CARTON	DCP-L2520DW	FOR GER/CHE/FRA/BEL/NLD	
1	LEM466001	1	CARTON	DCP-L2520DW	FOR UK/PND/CEE	
1	LEM394001	1	CARTON	DCP-L2520DW	FOR BRZ	
1	LEM472001	1	CARTON	DCP-L2520DW	FOR IBR	
1	LEM475001	1	CARTON	DCP-L2520DWR		
1	LEM478001	1	CARTON	DCP-L2540DN		
1	LEM481001	1	CARTON	DCP-L2540DNR		
1	LEM395001	1	CARTON	DCP-L2540DW	FOR US	
1	LEM398001	1	CARTON	DCP-L2540DW	FOR CAN	
1	LEM528001	1	CARTON	DCP-L2540DW	FOR PHL/THA/MYS	
1	LEM525001	1	CARTON	DCP-L2540DW	FOR IDN	
1	LEM400001	1	CARTON	DCP-L2540DW	FOR ARG/CHL/PER	
1	LEM401001	1	CARTON	DCP-L2540DW	FOR BRZ	
1	LEM531001	1	CARTON	DCP-L2541DW		
1	LEM484001	1	CARTON	DCP-L2560DW		
1	LEM487001	1	CARTON	DCP-L2560DWR		
1	LEM403001	1	CARTON	HL-L2380DW	FOR US	
1	LEM407001	1	CARTON	HL-L2380DW	FOR CAN	
1	LEM983001	1	CARTON	HL-L2380DW	FOR ARL/NZ	
1	LEM375001	1	CARTON	MFC-7380		
1	LEM378001	1	CARTON	MFC-7480D		
1	LEM381001	1	CARTON	MFC-7880DN		
1	LEV449001	1	CARTON	MFC-L2680W		
1	LEM970001	1	CARTON	MFC-L2700D	FOR PHL/TWN/THA/KOR/MYS	
1	LEM976001	1	CARTON	MFC-L2700D	FOR SAF/UAE/MENA	
1	LEM973001	1	CARTON	MFC-L2700D	FOR IDN	
1	LEV504001	1	CARTON	MFC-L2700DN		
1	LEV507001	1	CARTON	MFC-L2700DNR		
1	LEM409001	1	CARTON	MFC-L2700DW	FOR US	
1	LEM413001	1	CARTON	MFC-L2700DW	FOR CAN	
1	LEM493001	1	CARTON	MFC-L2700DW	FOR GER/FRA/BEL/NLD/CHE	
1	LEM490001	1	CARTON	MFC-L2700DW	FOR UK/ISR/POL/PND/CEE	
1	LEM534001	1	CARTON	MFC-L2700DW	FOR ARL	
1	LEM496001	1	CARTON	MFC-L2700DW	FOR ITA/IBR	
1	LEM549001	1	CARTON	MFC-L2700DW	FOR PHL/TWN/THA/KOR/MYS	
1	LEM546001	1	CARTON	MFC-L2700DW	FOR SAF/UAE/MENA	
1	LEM540001	1	CARTON	MFC-L2700DW	FOR NZ	
1	LEM543001	1	CARTON	MFC-L2700DW	FOR IDN	
1	LEM415001	1	CARTON	MFC-L2700DW	FOR CHL/PER	
1	LEM417001	1	CARTON	MFC-L2700DW	FOR BRZ	
1	LEM499001	1	CARTON	MFC-L2700DWR		
1	LEM965001	1	CARTON	MFC-L2701D		
1	LEM552001	1	CARTON	MFC-L2701DW		
1	LEM537001	1	CARTON	MFC-L2703DW		
1	LEV044001	1	CARTON	MFC-L2705DW		
1	LEM419001	1	CARTON	MFC-L2720DW	FOR US	
1	LEM422001	1	CARTON	MFC-L2720DW	FOR CAN	
1	LEM502001	1	CARTON	MFC-L2720DW	FOR GER/UK/CHE/ITA/IBR/FRA/ BEL/NLD/PND/CEE	
1	LEM555001	1	CARTON	MFC-L2720DW	FOR ARL/NZ	
1	LEM424001	1	CARTON	MFC-L2720DW	FOR ARG	
1	LEM426001	1	CARTON	MFC-L2720DW	FOR BRZ	
1	LEM505001	1	CARTON	MFC-L2720DWR		
1	LEM427001	1	CARTON	MFC-L2740DW	FOR US	
1	LEM431001	1	CARTON	MFC-L2740DW	FOR CAN	
1	LEM508001	1	CARTON	MFC-L2740DW	FOR GER/UK/CHE/ITA/IBR/FRA/ BEL/NLD/PND/CEE	
1	LEM558001	1	CARTON	MFC-L2740DW	FOR ARL/NZ	
1	LEM567001	1	CARTON	MFC-L2740DW	FOR TWN/THA/MYS	
1	LEM564001	1	CARTON	MFC-L2740DW	FOR SAF/UAE/MENA	

15. PACKING MATERIALS

REF No.	CODE	Q'TY	DESCRIPTION	MODEL	SPEC	REMARKS
1	LEM561001	1	CARTON	MFC-L2740DW	FOR IDN	
1	LEM433001	1	CARTON	MFC-L2740DW	FOR CHL/PER	
1	LEM435001	1	CARTON	MFC-L2740DW	FOR BRZ	
1	LEM511001	1	CARTON	MFC-L2740DWR		
2	LEM097001	1	POLYSTYRENE PAD ASSY	DCP-7080		
2	LEM097001	1	POLYSTYRENE PAD ASSY	DCP-7080D		
2	LEM115001	1	POLYSTYRENE PAD ASSY	DCP-7180DN		
2	LEM139001	1	POLYSTYRENE PAD ASSY	DCP-L2500D		
2	LEM139001	1	POLYSTYRENE PAD ASSY	DCP-L2500DR		
2	LEM097001	1	POLYSTYRENE PAD ASSY	DCP-L2520D		
2	LEM097001	1	POLYSTYRENE PAD ASSY	DCP-L2520DW	FOR US/CAN/BRZ	
2	LEM139001	1	POLYSTYRENE PAD ASSY	DCP-L2520DW	FOR GER/UK/CHE/FRA/BEL/NLD/ PND/IBR/CEE	
2	LEM139001	1	POLYSTYRENE PAD ASSY	DCP-L2520DWR		
2	LEM135001	1	POLYSTYRENE PAD ASSY	DCP-L2540DN		
2	LEM135001	1	POLYSTYRENE PAD ASSY	DCP-L2540DNR		
2	LEM115001	1	POLYSTYRENE PAD ASSY	DCP-L2540DW	FOR US/CAN/PHL/IDN/THA/BRZ/MYS	
2	LEM135001	1	POLYSTYRENE PAD ASSY	DCP-L2540DW	FOR ARG/CHL/PER	
2	LEM115001	1	POLYSTYRENE PAD ASSY	DCP-L2541DW		
2	LEM139001	1	POLYSTYRENE PAD ASSY	DCP-L2560DW		
2	LEM139001	1	POLYSTYRENE PAD ASSY	DCP-L2560DWR		
2	LEM097001	1	POLYSTYRENE PAD ASSY	HL-L2380DW		
2	LEM142001	1	POLYSTYRENE PAD ASSY	MFC-7380		
2	LEM142001	1	POLYSTYRENE PAD ASSY	MFC-7480D		
2	LEM142001	1	POLYSTYRENE PAD ASSY	MFC-7880DN		
2	LEM115001	1	POLYSTYRENE PAD ASSY	MFC-L2680W		
2	LEM115001	1	POLYSTYRENE PAD ASSY	MFC-L2700D		
2	LEM135001	1	POLYSTYRENE PAD ASSY	MFC-L2700DN		
2	LEM135001	1	POLYSTYRENE PAD ASSY	MFC-L2700DNR		
2	LEM115001	1	POLYSTYRENE PAD ASSY	MFC-L2700DW	FOR US/CAN/ARL/BRZ/PHL/TWN/SAF/ NZ/IDN/THA/KOR/MYS/UAE/MENA	
2	LEM135001	1	POLYSTYRENE PAD ASSY	MFC-L2700DW	FOR GER/UK/FRA/BEL/NLD/CHE/ITA/ ISR/CHL/POL/PND/IBR/PER/CEE	
2	LEM135001	1	POLYSTYRENE PAD ASSY	MFC-L2700DWR		
2	LEM115001	1	POLYSTYRENE PAD ASSY	MFC-L2701D		
2	LEM115001	1	POLYSTYRENE PAD ASSY	MFC-L2701DW		
2	LEM115001	1	POLYSTYRENE PAD ASSY	MFC-L2703DW		
2	LEM115001	1	POLYSTYRENE PAD ASSY	MFC-L2705DW		
2	LEM115001	1	POLYSTYRENE PAD ASSY	MFC-L2720DW	FOR US/CAN/ARL/NZ/BRZ	
2	LEM135001	1	POLYSTYRENE PAD ASSY	MFC-L2720DW	FOR GER/UK/CHE/ITA/IBR/ARG/FRA/ BEL/NLD/PND/CEE	
2	LEM135001	1	POLYSTYRENE PAD ASSY	MFC-L2720DWR		
2	LEM115001	1	POLYSTYRENE PAD ASSY	MFC-L2740DW	FOR US/CAN/ARL/TWN/SAF/NZ/IDN/ THA/BRZ/MYS/UAE/MEN/ FOR GER/UK/CHE/ITA/IBR/CHL/FRA/ BEL/NLD/PND/PER/CEE	
2	LEM135001	1	POLYSTYRENE PAD ASSY	MFC-L2740DW		
2	LEM135001	1	POLYSTYRENE PAD ASSY	MFC-L2740DWR		
3	LEM293001	1	OPTION CARTON	DCP-7080		
3	LEM293001	1	OPTION CARTON	DCP-7080D		
3	LEM101001	1	OPTION CARTON	DCP-7180DN		
3	LEM293001	1	OPTION CARTON	DCP-L2500D		
3	LEM293001	1	OPTION CARTON	DCP-L2500DR		
3	LEM293001	1	OPTION CARTON	DCP-L2520D		
3	LEM293001	1	OPTION CARTON	DCP-L2520DW		
3	LEM293001	1	OPTION CARTON	DCP-L2520DWR		
3	LEM101001	1	OPTION CARTON	DCP-L2540DN		
3	LEM101001	1	OPTION CARTON	DCP-L2540DNR		
3	LEM101001	1	OPTION CARTON	DCP-L2540DW		
3	LEM101001	1	OPTION CARTON	DCP-L2541DW		
3	LEM293001	1	OPTION CARTON	DCP-L2560DW		
3	LEM293001	1	OPTION CARTON	DCP-L2560DWR		
3	LEM293001	1	OPTION CARTON	HL-L2380DW		
3	LEM101001	1	OPTION CARTON	MFC-7380		
3	LEM101001	1	OPTION CARTON	MFC-7480D		
3	LEM101001	1	OPTION CARTON	MFC-7880DN		
3	LEM101001	1	OPTION CARTON	MFC-L2680W		
3	LEM101001	1	OPTION CARTON	MFC-L2700D		
3	LEM101001	1	OPTION CARTON	MFC-L2700DW		
3	LEM101001	1	OPTION CARTON	MFC-L2700DWR		
3	LEM101001	1	OPTION CARTON	MFC-L2701D		
3	LEM101001	1	OPTION CARTON	MFC-L2700DN		

15. PACKING MATERIALS

REF No.	CODE	Q'TY	DESCRIPTION	MODEL	SPEC	REMARKS
3	LEM101001	1	OPTION CARTON	MFC-L2700DNR		
3	LEM101001	1	OPTION CARTON	MFC-L2701DW		
3	LEM101001	1	OPTION CARTON	MFC-L2703DW		
3	LEM101001	1	OPTION CARTON	MFC-L2705DW		
3	LEM101001	1	OPTION CARTON	MFC-L2720DW		
3	LEM101001	1	OPTION CARTON	MFC-L2720DWR		
3	LEM101001	1	OPTION CARTON	MFC-L2740DW		
3	LEM101001	1	OPTION CARTON	MFC-L2740DWR		
4	LEM147001	1	TONER PAD	DCP-7080		
4	LEM147001	1	TONER PAD	DCP-7080D		
4	LEM147001	1	TONER PAD	DCP-7180DN		
4	LEM147001	1	TONER PAD	DCP-L2520D		
4	LEM147001	1	TONER PAD	DCP-L2520DW	FOR US/CAN/BRZ	
4	LEM147001	1	TONER PAD	DCP-L2540DW	FOR US/CAN/PHL/IDN/THA/BRZ/MYS	
4	LEM147001	1	TONER PAD	DCP-L2541DW		
4	LEM147001	1	TONER PAD	HL-L2380DW		
4	LEM302001	1	TONER PAD	MFC-7380		
4	LEM302001	1	TONER PAD	MFC-7480D		
4	LEM302001	1	TONER PAD	MFC-7880DN		
4	LEM147001	1	TONER PAD	MFC-L2680W		
4	LEM147001	1	TONER PAD	MFC-L2700D		
4	LEM147001	1	TONER PAD	MFC-L2700DW	FOR US/CAN/ARL/BRZ/PHL/TWN/SAF/ NZ/IDN/THA/KOR/MYS/UAE/MENA	
4	LEM147001	1	TONER PAD	MFC-L2701D		
4	LEM147001	1	TONER PAD	MFC-L2701DW		
4	LEM147001	1	TONER PAD	MFC-L2703DW		
4	LEM147001	1	TONER PAD	MFC-L2705DW		
4	LEM147001	1	TONER PAD	MFC-L2720DW	FOR US/CAN/ARL/NZ/BRZ	
4	LEM147001	1	TONER PAD	MFC-L2740DW	FOR US/CAN/ARL/TWN/SAF/NZ/IDN/ THA/BRZ/MYS/UAE/MENA	
5	LEM700001	1	BAG 900X1000H			
6	LEV072001	1	PROTECTIVE MATERIAL ASSY SP			
7	LEV264001	1	CHINA ENERGY LABEL	DCP-7080		
7	LEV265001	1	CHINA ENERGY LABEL	DCP-7080D		
7	LEV266001	1	CHINA ENERGY LABEL	DCP-7180DN		
7	LEV267001	1	CHINA ENERGY LABEL	MFC-7380		
7	LEV268001	1	CHINA ENERGY LABEL	MFC-7480D		
7	LEV269001	1	CHINA ENERGY LABEL	MFC-7880DN		